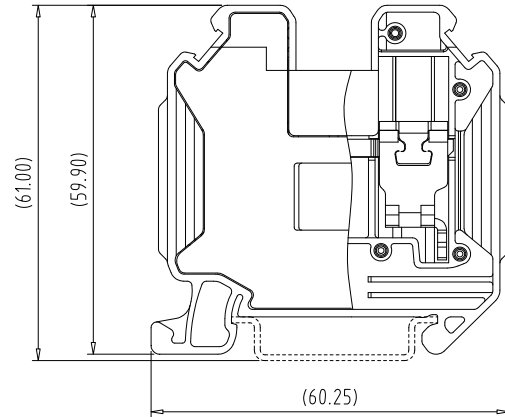
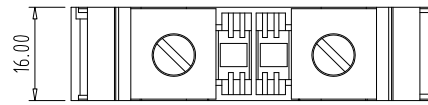


Rail Mounted Terminal Block — TK series — TK35



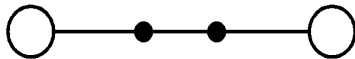
■ 图示(Pic. shown) : TK35(M19S)

General: Rail Mounted terminal block Rated: 1000V, 125A 35mm²
Screw clamp unit: M6,3.5N·m
Mounting type: DIN Rail TH35-7.5

认证 (Approval) :



■ 电路图(Circuit diagram)



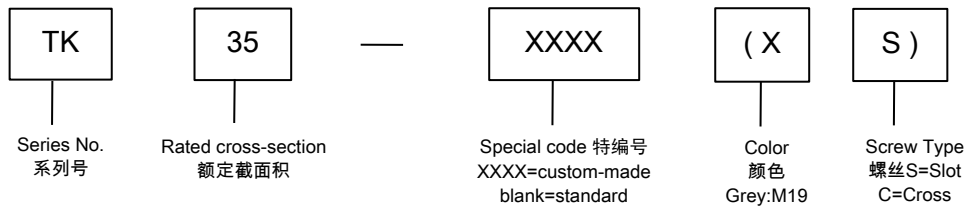
■ 尺寸(Dimensions)

长度(Length)	60.25mm
宽度(Width)	16.00mm
安装高度(Height TH35-7.5)	61.00mm

■ 技术参数Technical Data

UL应用组别(UL Application group) IEC过电压别/污染等级(IEC overvoltage category /pollution degree)	UL standard			IEC standard		
	B	C	E	IEC过电压别/污染等级(IEC overvoltage category /pollution degree)		
额定电压(Rated voltage)	600V	600V	1000V	1000V	--	--
额定电流(Rated current)	150A	150A	150A	125A	--	--
额定连接容量(Rated connection capacity)	14 ~ 1/0AWG			1.5 ~ 35mm ² &50mm ² (sol)		
刚性导线横截面 (AWG) (Conductor cross section,solid)				14 ~ 1/0		
柔性导线横截面 (AWG) (Conductor cross section,stranded)				14 ~ 1/0		
刚性导线横截面 (mm ²) (Conductor cross section,rigid)				1.5 ~ 50		
柔性导线横截面 (mm ²) (Conductor cross section,flexible)				1.5 ~ 35		
具有相同横截面的2根实心导线 (mm ²) (2 conductors with cross section,solid)				1.5 ~ 16		
具有相同横截面的2根柔性导线 (mm ²) (2 conductors with cross section,flexible)				1.5 ~ 10		
柔性导线横截面, 不带绝缘套管的冷压头 (mm ²) (Conductor cross section flexible , with ferrule without plastic sleeve)				1.5 ~ 35		
柔性导线横截面, 带绝缘套管的冷压头 (mm ²) (Conductor cross section flexible , with ferrule with plastic sleeve)				1.5 ~ 35		
2根具有相同横截面的导线, 柔性, 带TWIN套管及塑料套管 (mm ²) (2 conductors with the same section flexible with TWIN ferrule and plastic sleeve)				1.5 ~ 16		
绝缘材料(Insulation Material)				PA66 UL94 V-0		
电流承载部件材料和镀层(Material & Plating of Current carrier)				Copper alloy , Tin plated		
接线螺丝(Wire clamp unit Screw) , 最大扭矩(torque Max.)				M6, 3.5N·m		
绝缘电阻(Insulation Resistance)				500MΩ or more at DC500V		
耐电压(1分钟)(Withstanding Voltage/1Min)				4250V		
额定冲击电压(Rated surge voltage)				8KV		
剥线长度(Wire stripping length)				14.0~16.0mm		
使用温度(Operating temperature)				-40°C up to +115°C		

订购方式(How to order)



Rail Terminal Block — TK series — TK35—Accessories

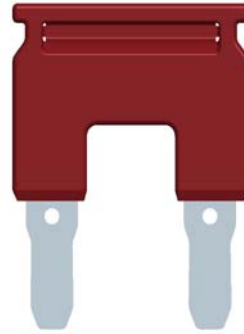
安装导轨 DIN Rail



P/N:TH35-7.5-ST

P/N:TH35-7.5-AL

桥接件 Plug-in bridge P/N: TKFB35-02P



终端固定器 End clamp



P/N: ETNS01



P/N: ETNS03

标示牌 Marking label P/N: MARK16DB-M



P/N: ETNS02