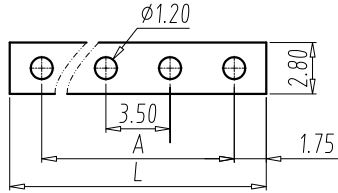
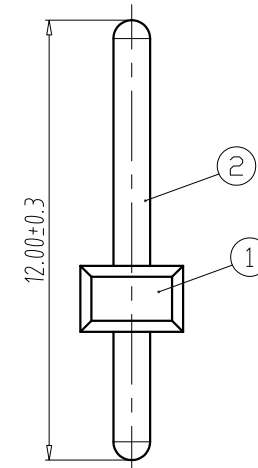
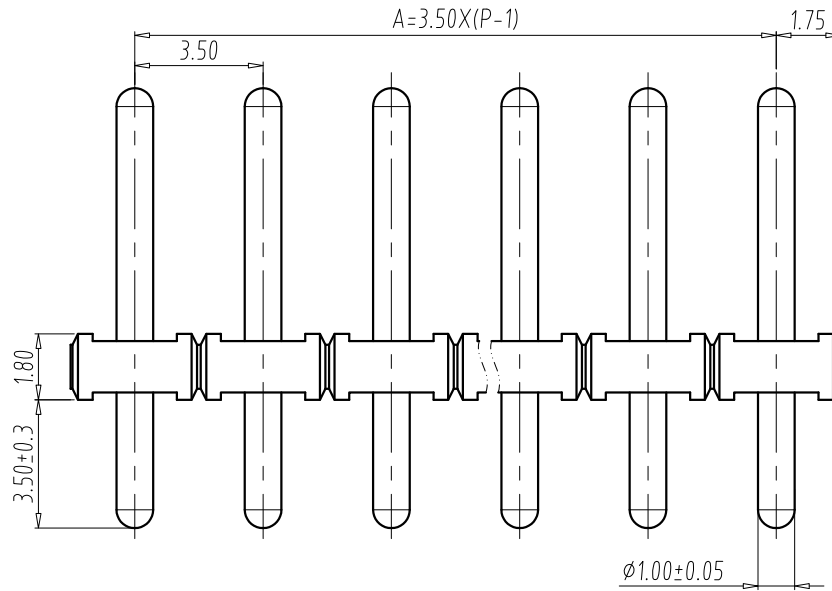
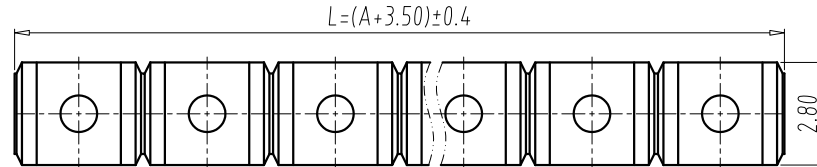


FILE: TL\006\TL006P-XXP-X

REV	E.C.N NO.	CONTENT	CHK	DATE
V1.0		ORIGINAL	HF	2021.10.27



PCB LAYOUT
S=2.5:1



NOTES:

- UL:
Rating:300V, 10A;
Insulation Withstands Voltage:AC1600V/MIN;
Using Temperature Range:-40°C~+120°C;
- IEC:
Rating:250V, 12A;
Rate Impulse Voltage:2500V;
Insulation Resistance:500MΩ or more at DC500V;
Contact Resistance: ≤5mΩ
Material Group:IIIa;
Pollution Degree:2;
Overvoltage Category: II;
- Using Temperature Range:-40°C~+115°C;
- RoHS compliance;

DIM	P	2	3	4	5	6	7	8	9	10	11	12	13	14	15	
L		7.0	10.5	14.0	17.5	21.0	24.5	28.0	31.5	35.0	38.5	42.0	45.5	49	52.5	
A		3.5	7.0	10.5	14.0	17.5	21.0	24.5	28.0	31.5	35.0	38.5	42	45.5	49	
DIM	P	16	17	18	19	20	21	22	23	24	25	26	27	28	29	30
L		56	59.5	63	66.5	70	73.5	77	80.5	84	87.5	91.0	94.5	98.0	101.5	105
A		52.5	56	59.5	63	66.5	70	73.5	77	80.5	84.0	87.5	91.0	94.5	98.0	101.5

Total Pitch Tolerances in mm								Nominal dimension range in mm								
over	over	over	over	over	over	over	over	over	over	over	over	over	over	over	over	over
0	30	53	70	90	115	150	200	0	30	53	70	90	115	150	200	250
to	to	to	to	to	to	to	to	to	to	to	to	to	to	to	to	to
30	53	70	90	115	150	200	250	30	53	70	90	115	150	200	250	320
±0.20	±0.25	±0.3	±0.35	±0.44	±0.55	±0.70	±0.85	±0.25	±0.30	±0.35	±0.44	±0.55	±0.70	±0.80	±0.90	±1.20

2	PIN	P	Copper Alloy	Tin Plated			
1	HOUSING	1	PA66	UL94 V-0			
ITEM	NAME OF PART	Q'TY	MATERIAL	NOTE			
DWG.	HF	DATE	2021.10.27	UNITS	MM	SHEET/OF	1/1
CHK.		DATE		SCALE	5 : 1	A4	
APP.		DATE		NAME			
				TL006P-XXP-X			
				DWGNO: TLDW-TL006PXXPX			