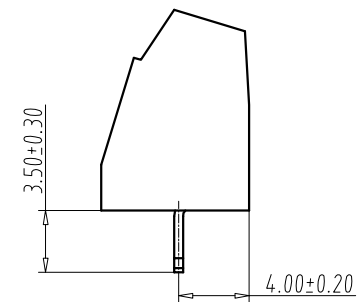
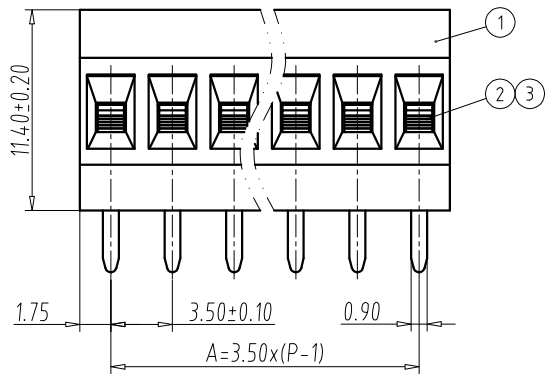
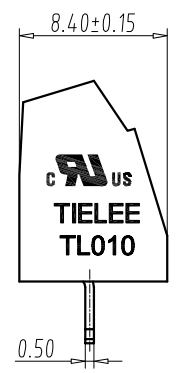


- NOTES:**
1. UL:
Rating:300V, 10A
Insulation Withstands Voltage:AC1600V/MIN
Suitable Electric Wire:26AWG~16AWG
 2. IEC:
Insulation Resistance:500MΩ or more at DC500V
Contact Resistance:≤5mΩ
 3. Using Temperature Range:-40℃~+105℃
 4. Screw Torque Value:0.25N·m
 5. Strip length:5~6mm
 6. RoHS compliance



DIM	P	2	3	4	5	6	7	8	9	10	11	12						
		L	7.0	10.5	14.0	17.5	21.0	24.5	28.0	31.5	35.0	38.5	42.0					
		A	3.5	7.0	10.5	14.0	17.5	21.0	24.5	28.0	31.5	35.0	38.5					
DIM	P	13	14	15	16	17	18	19	20	21	22	23	24					
		L	45.5	49.0	52.5	56.0	59.5	63.0	66.5	70.0	73.5	77.0	80.5	84.0				
		A	4.2.0	4.5.5	4.9.0	5.2.5	5.6.0	5.9.5	6.3.0	6.6.5	7.0.0	7.3.5	7.7.0	8.0.5				
A	Total Pitch Tolerances in mm						Nominal dimension range in mm											
	over	over	over	over	over	over	over	over	over	over	over	over	over					
	0	30	53	70	90	115	150	200	250	0	30	53	70	90	115	150	200	250
	to	to	to	to	to	to	to	to	to	to	to	to	to	to	to	to	to	to
	±0.20	±0.25	±0.3	±0.35	±0.44	±0.55	±0.70	±1.00	±0.25	±0.30	±0.35	±0.44	±0.55	±0.70	±0.80	±0.90	±1.20	

4	SCREW	P	STEEL	M2/Zn Plated
3	BLOCK	P	Copper Alloy	Ni Plated
2	SOLDER PIN	P	Copper Alloy	Sn Plated
1	HOUSING	1	PA66	UL94V-0
ITEM	NAME OF PART	Q'TY	MATERIAL	NOTE

DWG.	ZHT	DATE	2021.03.19	UNITS	MM	SHEET/OF	1/1
CHK.		DATE		SCALE	2.5 : 1	A4	
APP.		DATE		TIANLI ELECTRICAL MACHINERY (NINGBO) CO., LTD.			
				DWGNO	TLDW-TL010XXPXS		