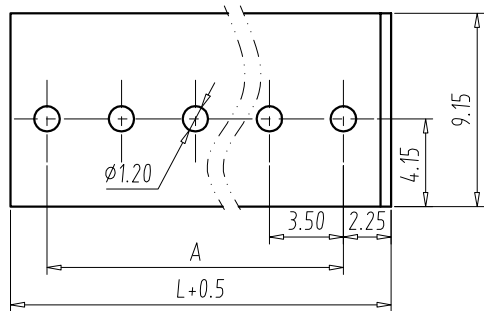
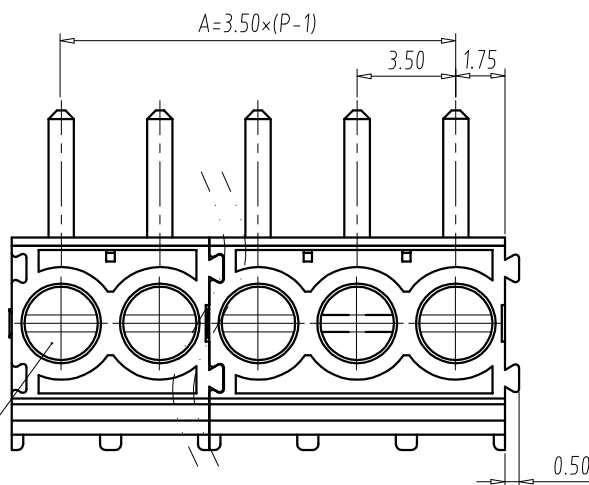


FILE: TLV012\TL012R-XXP-XS

REV	E.C.N NO.	CONTENT	CHK	DATE
V1.0		ORIGINAL	GJJ	2023.08.26

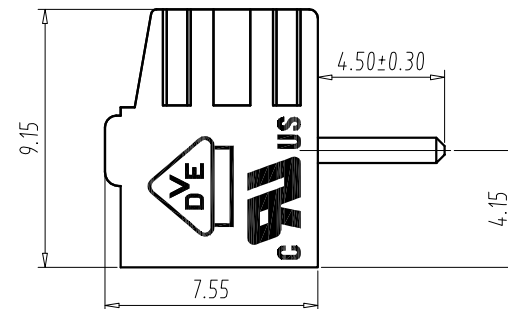
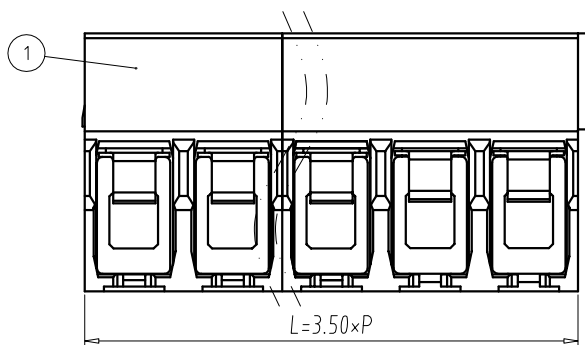
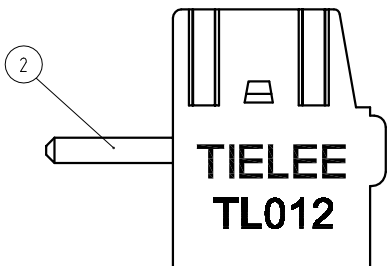


PCB LAYOUT  
S=3:1



NOTES:

- UL:  
Rating:300V, 10A;  
Insulation Withstands Voltage:AC1600V/MIN;  
Suitable Electric Wire:26AWG~16AWG
- IEC:  
Rating:160V, 17. 5A;  
Rate Impulse Voltage:2500V;  
Insulation Resistance:500MΩ or more at DC500V;  
Contact Resistance: ≤5mΩ  
Material Group: I ;  
Pollution Degree:2;  
Overvoltage Category:III;  
Suitable Electric Wire:0. 2mm<sup>2</sup>~1. 5mm<sup>2</sup>
- Using Temperature Range:-40℃~+115℃;
- Screw Torque Value:0. 2N·m
- Strip length:5. 0~6. 0mm
- RoHS compliance;



DIM	P	2	3	4	5	6	7	8	9	10	11	12	
L		7	10.5	14	17.5	21	24.5	28	31.5	35	38.5	42	
A		3.5	7	10.5	14	17.5	21	24.5	28	31.5	35	38.5	
DIM	P	13	14	15	16	17	18	19	20	21	22	23	24
L		45.5	49	52.5	56	59.5	63	66.5	70	73.5	77	80.5	84
A		4.2	4.5	4.9	5.25	5.6	5.95	6.3	6.65	7.0	7.35	7.7	80.5
Total Pitch Tolerances in mm						Nominal dimension range in mm							
over	over	over	over	over	over	over	over	over	over	over	over	over	over
0	30	53	70	90	115	150	200	250	0	30	53	70	90
to	to	to	to	to	to	to	to	to	to	to	to	to	to
30	53	70	90	115	150	200	250	320	30	53	70	90	115
±0.20	±0.25	±0.3	±0.35	±0.44	±0.55	±0.70	±0.85	±1.00	±0.25	±0.30	±0.35	±0.44	±0.55
									±0.70	±0.80	±0.90	±1.20	

4	SCREW	P	STEEL	Zn Plated
3	SPRINGCOIL	P	STAINLESS	/
2	SOLDER PIN	P	COPPER ALLOY	Tin Plated
1	HOUSING	1	PA66	UL94V-0
ITEM	NAME OF PART	Q'TY	MATERIAL	NOTE

DWG.	shike	DATE	2020.06.10	UNITS	MM	SHEET/OF	1/1
CHK.		DATE		SCALE	4:1	A4	
APP.		DATE		NAME	TL012R-XXP-XS		
				DWGNO	TLDW-TL012RXXPX5		
				ELECTRICAL MACHINERY(NINGBO)CO.,LTD.			