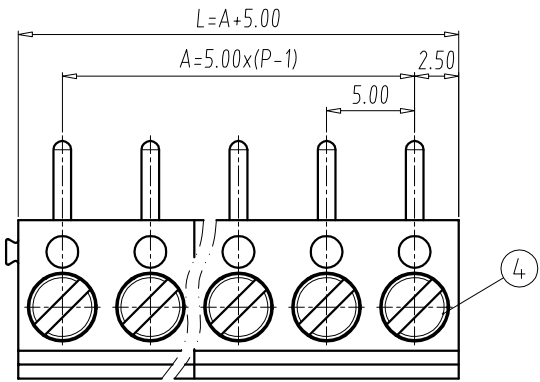
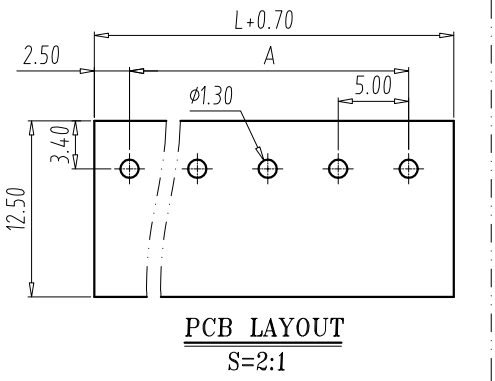
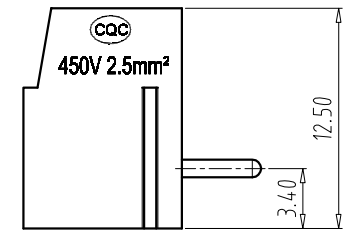
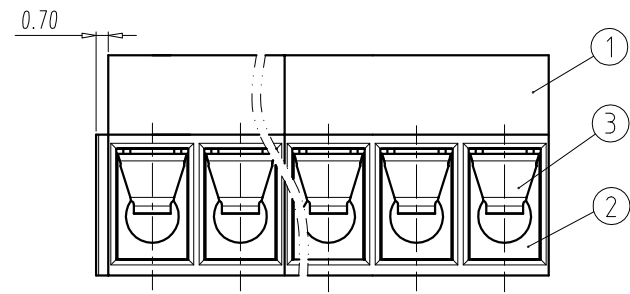
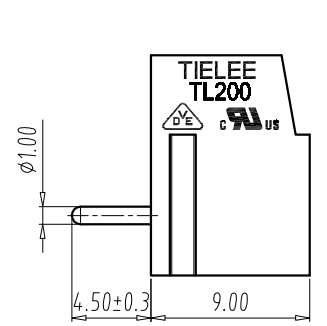


FILE: TL\200\TL200R-XXP-XS

REV	E.C.N NO.	CONTENT	CHK	DATE
V1.0		ORIGINAL	CFJ	2021.12.31



- NOTES:**
- UL:**
Rating:300V, 16A;
Insulation Withstands Voltage:AC2000V/MIN;
Suitable Electric Wire:22AWG~14AWG
 - IEC:**
Rating:250V, 24A;
Rate Impulse Voltage:4000V;
Insulation Resistance:500MΩ or more at DC500V;
Contact Resistance: ≤5mΩ
Material Group:I;
Pollution Degree:2;
Overvoltage Category:III;
Suitable Electric Wire:0.5mm²~2.5mm²
 - Using Temperature Range:-40℃~+105℃;
 - Screw Torque Value:0.5N·m
 - Strip length:4.0~5.0mm
 - RoHS compliance;



DIM	P																	
	2	3	4	5	6	7	8	9	10	11	12							
L	10	15	20	25	30	35	40	45	50	55	60							
A	5	10	15	20	25	30	35	40	45	50	55							
DIM	P																	
	13	14	15	16	17	18	19	20	21	22	23	24						
L	65	70	75	80	85	90	95	100	105	110	115	120						
A	60	65	70	75	80	85	90	95	100	105	110	115						
A	Total Pitch Tolerances in mm								Nominal dimension range in mm									
	over 0	over 30	over 53	over 70	over 90	over 115	over 150	over 200	over 250	over 0	over 30	over 53	over 70	over 90	over 115	over 150	over 200	over 250
	to 30	to 53	to 70	to 90	to 115	to 150	to 200	to 250	to 30	to 53	to 70	to 90	to 115	to 150	to 200	to 250	to 320	
	±0.20	±0.25	±0.3	±0.35	±0.44	±0.55	±0.70	±0.85	±1.00	±0.25	±0.30	±0.35	±0.44	±0.55	±0.70	±0.80	±0.90	±1.20

4	SCREW	P	STEEL	M3/Zn Plated
3	SPRING	P	STAINLESS	/
2	SOLDER PIN	P	Copper Alloy	Tin Plated
1	HOUSING	1	PA66	UL94 V-0
ITEM	NAME OF PART	Q'TY	MATERIAL	NOTE

DWG.	CFJ	DATE	2021.12.31	UNITS	MM	SHEET/OF	1/1
CHK.		DATE		SCALE	2.5 : 1	A4	
APP.		DATE		TIANLI ELECTRICAL MACHINERY(NINGBO)CO.,LTD.			
				DWGNO	TLDW-TL200RXXPXS		