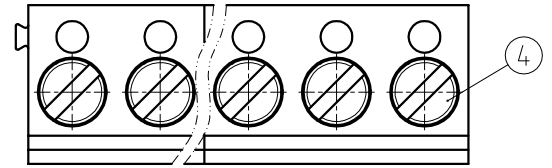
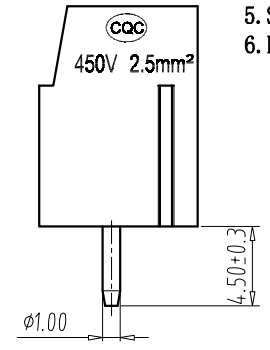
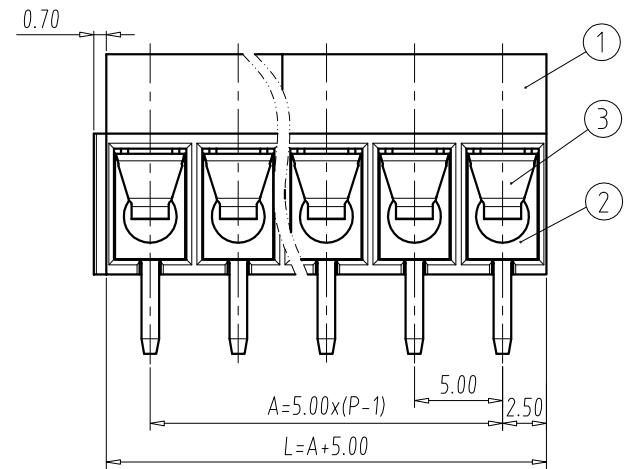
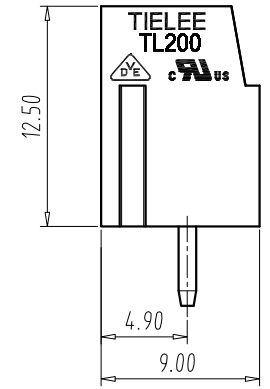


PCB LAYOUT
S=2:1



- NOTES:
1. UL:
Rating:300V, 16A;
Insulation Withstands Voltage:AC2000V/MIN;
Suitable Electric Wire:22AWG~14AWG
 2. IEC:
Rating:250V, 24A;
Rate Impulse Voltage:4000V;
Insulation Resistance:500MΩ or more at DC500V;
Contact Resistance: ≤5mΩ
Material Group:I;
Pollution Degree:2;
Overvoltage Category:III;
Suitable Electric Wire:0.5mm²~2.5mm²
 3. Using Temperature Range:-40℃~+105℃;
 4. Screw Torque Value:0.5N·m
 5. Strip length:6.0~7.0mm
 6. RoHS compliance;



DIM	P	2	3	4	5	6	7	8	9	10	11	12	P	13	14	15	16	17	18	19	20	21	22	23	24			
	L	10	15	20	25	30	35	40	45	50	55	60		L	65	70	75	80	85	90	95	100	105	110	115	120		
DIM	P	60	65	70	75	80	85	90	95	100	105	110	115	P	60	65	70	75	80	85	90	95	100	105	110	115		
	L	60	65	70	75	80	85	90	95	100	105	110	115		L	60	65	70	75	80	85	90	95	100	105	110	115	
A	Total Pitch Tolerances in mm												Nominal dimension range in mm															
	over	over	over	over	over	over	over	over	over	over	over	over	over	over	over	over	over	over	over	over	over	over	over	over				
	0	30	53	70	90	115	150	200	250	0	30	53	70	90	115	150	200	250	0	30	53	70	90	115	150	200	250	320
to	to	to	to	to	to	to	to	to	to	to	to	to	to	to	to	to	to	to	to	to	to	to	to	to	to	to	to	to
±0.20	±0.25	±0.3	±0.35	±0.4	±0.44	±0.55	±0.70	±1.00	±0.25	±0.30	±0.35	±0.44	±0.55	±0.70	±0.80	±0.90	±1.20											

4	SCREW	P	STEEL	M3/Zn Plated
3	SPRING	P	STAINLESS	/
2	SOLDER PIN	P	Copper Alloy	Tin Plated
1	HOUSING	1	PA66	UL94 V-0
ITEM	NAME OF PART	Q'TY	MATERIAL	NOTE

DWG.	CFJ	DATE	2021.12.25	UNITS	MM	SHEET/OF	1/1
CHK.		DATE		SCALE	2.5 : 1	A4	
APP.		DATE		TIANLI ELECTRICAL MACHINERY(NINGBO)CO.,LTD.			
				DWGN0	TLDW-TL200VXXPXS		