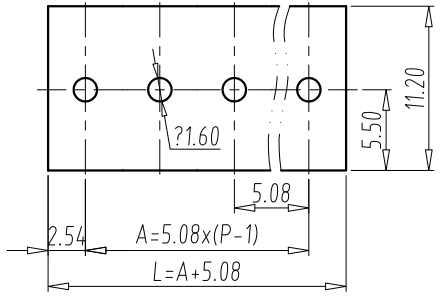
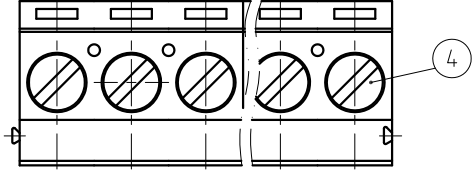


FILE:

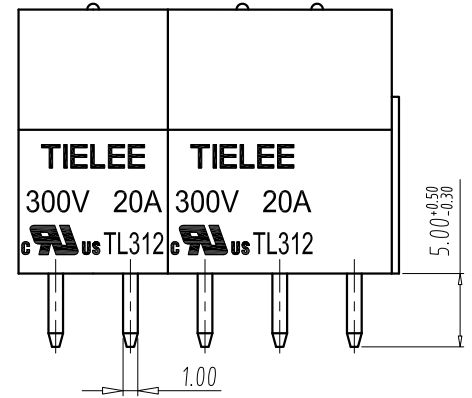
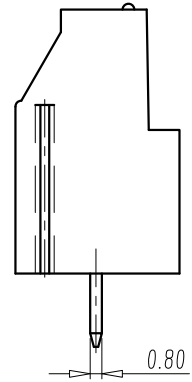
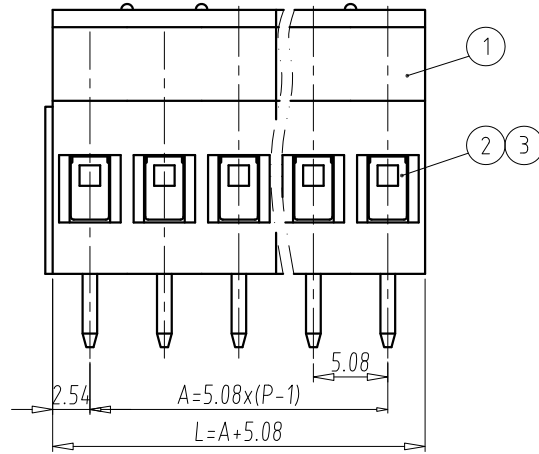
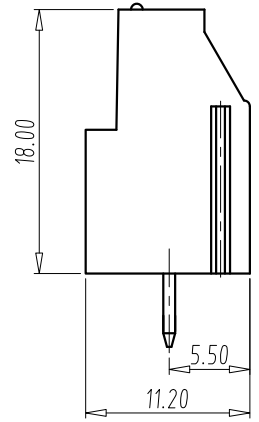
REV	E.C.N NO.	CONTENT	CHK	DATE
V1.0		ORIGINAL	ZHT	2021.01.20



PCB LAYOUT
S=2:1



- NOTES:
- UL:
Rating:300V, 20A
Insulation Withstands Voltage:AC1600V/MIN
Suitable Electric Wire:24AWG~12AWG
 - IEC:
Rating:300V, 20A
Rate Impulse Voltage:4000V
Insulation Resistance:500MΩ or more at DC500V
Contact Resistance:≤5mΩ
Material Group: I, Pollution Degree:2, Overvoltage Category:III
Suitable Electric Wire:0.34mm²~4.0mm²
 - Using Temperature Range:-40℃~+105℃
 - Screw Torque Value:0.5N·m
 - Strip length:7.0~8.0mm
 - RoHS compliance



DIM	P	2	3	4	5	6	7	8	9	10	11	12	
L		10.16	15.24	20.32	25.40	30.48	35.56	40.64	45.72	50.80	55.88	60.96	
A		5.08	10.16	15.24	20.32	25.40	30.48	35.56	40.64	45.72	50.80	55.88	
DIM	P	13	14	15	16	17	18	19	20	21	22	23	24
L		66.04	71.12	76.20	81.28	86.36	91.44	96.52	101.60	106.68	111.76	116.84	121.92
A		60.96	66.04	71.12	76.20	81.28	86.36	91.44	96.52	101.60	106.68	111.76	116.84

Total Pitch Tolerances in mm												Nominal dimension range in mm															
over	over	over	over	over	over	over	over	over	over	over	over	over	over	over	over	over	over	over	over	over	over						
0	30	53	70	90	115	150	200	250	300	30	53	70	90	115	150	200	250	300	30	53	70	90	115	150	200	250	320
to	to	to	to	to	to	to	to	to	to	to	to	to	to	to	to	to	to	to	to	to	to	to	to	to	to	to	to
30	53	70	90	115	150	200	250	300	320	30	53	70	90	115	150	200	250	320	30	53	70	90	115	150	200	250	320
±0.20	±0.25	±0.30	±0.35	±0.40	±0.55	±0.70	±0.85	±1.00	±0.25	±0.30	±0.35	±0.40	±0.55	±0.70	±0.80	±0.90	±1.20										

4	SCREW	P	STEEL	M3/Zn Plated
3	SOLDER PIN	P	Copper Alloy	Tin Plated
2	BLOCK	P	Copper Alloy	Ni Plated
1	HOUSING	/	PA66	UL94V-0
ITEM	NAME OF PART	Q'TY	MATERIAL	NOTE

DWG.	ZHT	DATE	2021.01.20	UNITS	MM	SHEET/OF	1/1
CHK.		DATE		SCALE	2:1	A4	
APP.		DATE		NAME	TL312V-XXP-XS		
				DWGNO.	TLDW-TL312VXXPX5		

