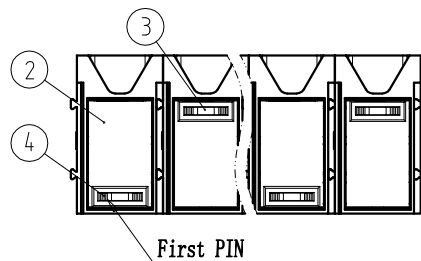
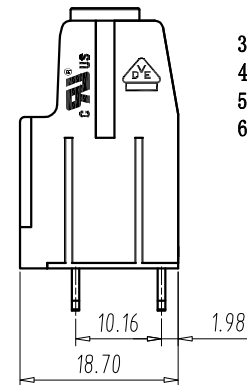
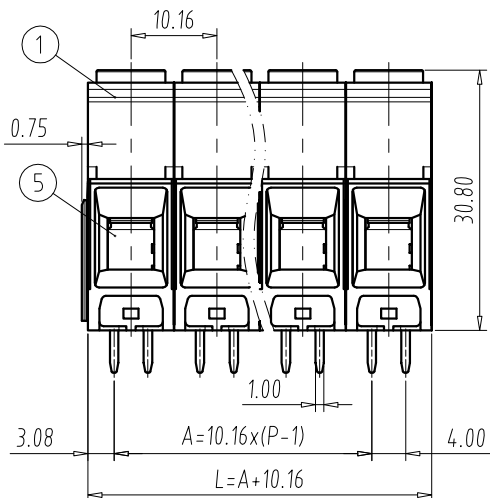
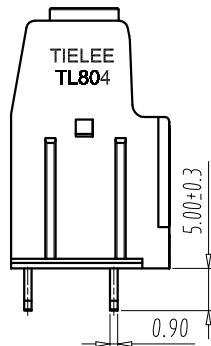
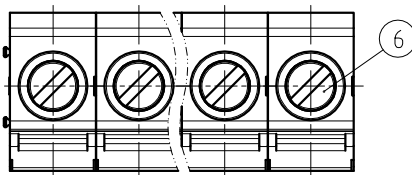
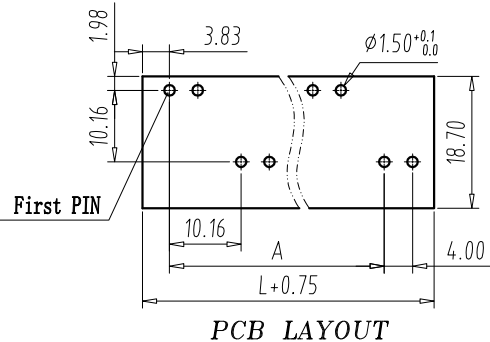


FILE: TL\804\TL804-XXP-XS

REV	E.C.N NO.	CONTENT	CHK	DATE
V1.0		ORIGINAL	YHZ	2022.07.09



- NOTES:**
- UL:
 - Rating:600V, 65A;
 - Insulation Withstands Voltage:AC2200V/MIN;
 - Suitable Electric Wire:20AWG~6AWG
 - IEC:
 - Rating:1000V, 76A;
 - Rate Impulse Voltage:8000V;
 - Insulation Resistance:500MΩ or more at DC500V;
 - Contact Resistance: ≤5mΩ
 - Material Group:I;
 - Pollution Degree:2;
 - Overvoltage Category:III;
 - Suitable Electric Wire:0.5mm²~16mm²
 - Using Temperature Range:-40℃~+115℃;
 - Screw Torque Value:1.5N·m
 - Strip length:10.0~11.0mm
 - RoHS compliance;

DIM	P	2	3	4	5	6	7	8	
L		20.32	30.48	40.64	50.80	60.96	71.12	81.28	
A		10.16	20.32	30.48	40.64	50.80	60.96	71.12	
DIM	P	9	10	11	12	13	14	15	16
L		91.44	101.60	111.76	121.92	132.08	142.24	152.40	162.56
A		81.28	91.44	101.60	111.76	121.92	132.08	142.24	152.40

Total Pitch Tolerances in mm										Nominal dimension range in mm									
over	over	over	over	over	over	over	over	over	over	over	over	over	over	over	over	over	over	over	over
0	30	53	70	90	115	150	200	250	320	0	30	53	70	90	115	150	200	250	320
to	to	to	to	to	to	to	to	to	to	to	to	to	to	to	to	to	to	to	to
30	53	70	90	115	150	200	250	320	±0.20	±0.25	±0.30	±0.35	±0.44	±0.55	±0.70	±0.80	±0.90	±1.20	±1.20

6	SCREW	P	STEEL	M4/Zn Plated
5	BLOCK	P	Copper Alloy	Ni Plated
4	BACK.SOLDER.PIN	P/2=dual	Copper Alloy	Tin Plated
		(P-1)/2=singular		
3	FRONT.SOLDER.PIN	P/2=dual	Copper Alloy	Tin Plated
		(P-1)/2=singular		
2	COVER	P	PA66	UL94 V-0
1	HOUSING	P	PA66	UL94 V-0
ITEM	NAME OF PART	Q'TY	MATERIAL	NOTE

DWG.	YHZ	DATE	2021.05.10	UNITS	MM	SHEET/OF	1/1
CHK.		DATE		SCALE	12:1	A4	
APP.		DATE		NAME: TL804-XXP-XS			
 TIANLI ELECTRICAL MACHINERY(NINGBO)CO.,LTD.				DWGNO.	TLDW-TL804XXPXS		