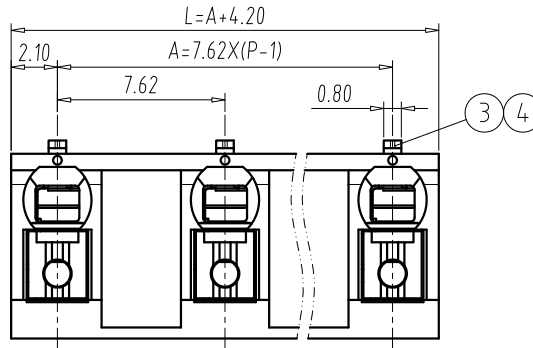
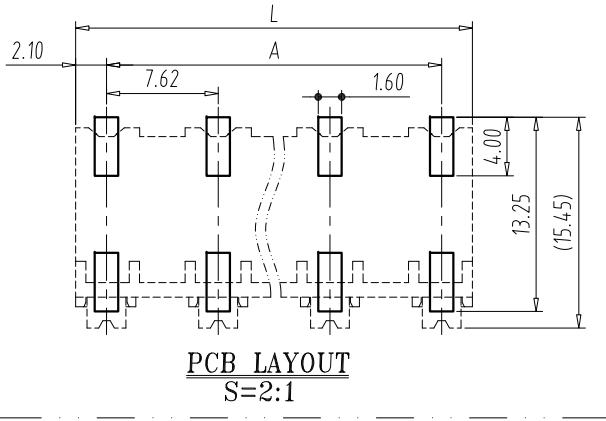


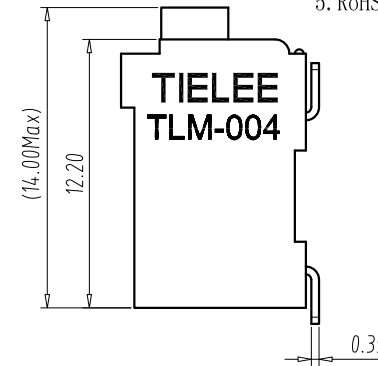
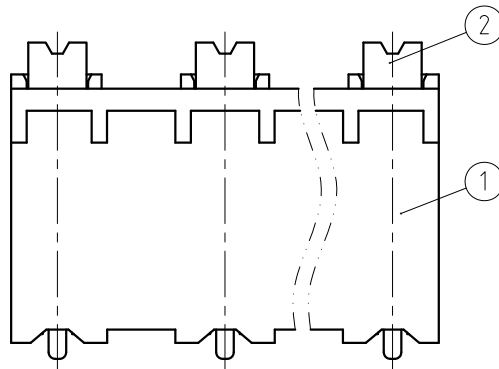
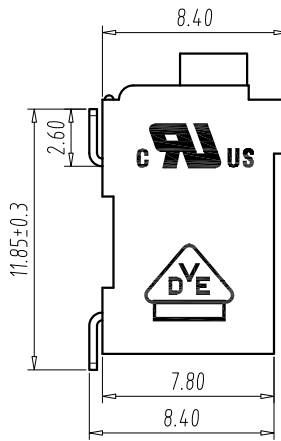
FILE: TLM004\TLM-004RS-7.62-XXP-X

REV	E.C.N NO.	CONTENT	CHK	DATE
V1.0		ORIGINAL	YHZ	2022.06.10



NOTES:

- UL:
Rating:300V, 12A
Insulation Withstands Voltage:AC1600V/MIN
Suitable Electric Wire:28AWG~16AWG
- IEC:
Rating:630V, 17.5A
Rate Impulse Voltage:6000V
Insulation Resistance:500MΩ or more at DC500V
Contact Resistance:≤5mΩ
Material Group: I
Pollution Degree:2
Overvoltage Category:III
Suitable Electric Wire:0.2mm²~1.5mm²
- Using Temperature Range:-40℃~+130℃
- Strip length:8.0~9.0mm
- RoHS compliance



DIM	P	2	3	4	5	6	7	8
A		7.62	15.24	22.86	30.48	38.1	45.72	53.34
L		11.82	19.44	27.06	34.68	42.3	49.92	57.54

DIM	P	9	10	11	12	13	14	15	16
A		60.96	68.58	76.2	83.82	91.44	99.06	106.68	114.3
L		65.16	72.78	80.4	88.02	95.64	103.26	110.88	118.5

Total Pitch Tolerances in mm																Nominal dimension range in mm															
over	over	over	over	over	over	over	over	over	over	over	over	over	over	over	over	over	over	over	over	over	over	over	over	over	over	over	over	over	over		
0	30	53	70	90	115	150	200	250	300	30	53	70	90	115	150	200	250	300	30	53	70	90	115	150	200	250	300	300			
±0.20	±0.25	±0.30	±0.35	±0.44	±0.55	±0.70	±0.85	±1.00	±0.25	±0.30	±0.35	±0.44	±0.55	±0.70	±0.80	±0.90	±1.20														

4	SOLDER PIN	P	H-Copper Alloy	Tin Plated
3	SPRING	P	Stainless	/
2	LEVER	P	PA-HT	UL94 V-0
1	HOUSING	1	PA-HT	UL94 V-0
ITEM	NAME OF PART	Q'TY	MATERIAL	NOTE

DWG.	YHZ	DATE	2022.06.10	UNITS	MM	SHEET/OF	1/1
CHK.		DATE		SCALE	3 : 1	A4	
APP.		DATE		NAME	TLM-004RS-7.62-XXP-X		
				DWGNO.	TLDW-TLM004RS7.62XXPX		

