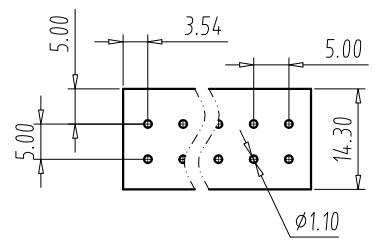


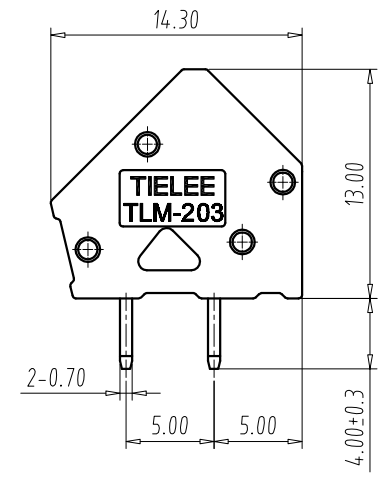
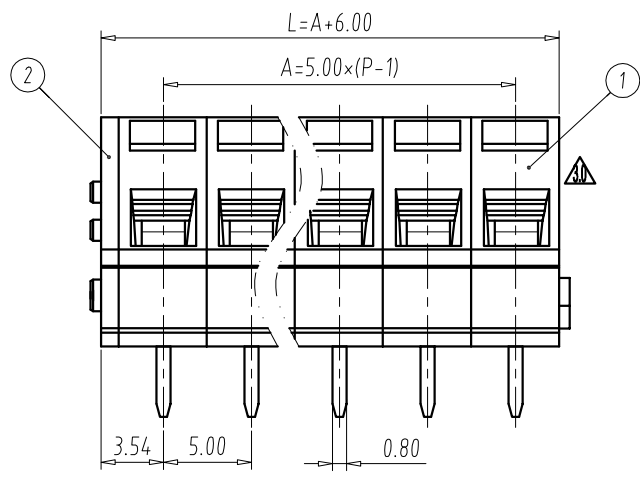
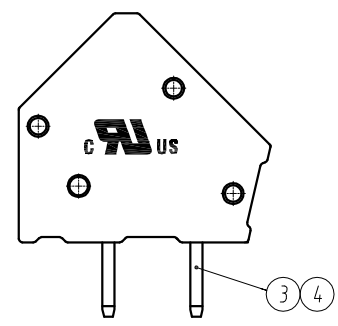
REV	E.C.N NO.	CONTENT	CHK	DATE
V3.0	S2206008	Optimize the structure	ZZW	2022.12.13



PCB LAYOUT
S=1:1

NOTES:

- UL:
 - Rating:300V,15A;
 - Insulation Withstands Voltage:AC1600V/MIN;
 - Suitable Electric Wire:22AWG~12AWG
 - Using Temperature Range:-40℃~+105℃;
 - IEC:
 - Rating:320V,24A;
 - Rate Impulse Voltage:4000V;
 - Insulation Resistance:500MΩ or more at DC500V;
 - Contact Resistance: ≤5mΩ
- Material Group: I ;
Pollution Degree:2;
Overvoltage Category:III;
Suitable Electric Wire: 0.34mm² ~2.5mm²
Using Temperature Range:-40℃~+120℃;
- Strip length:5-6mm
 - RoHS compliance;



DIM	P	1	2	3	4	5	6	7	8	9	10	11	12
L		6.0	11.0	16.0	21.0	26.0	31.0	36.0	41.0	46.0	51.0	56.0	61.0
A		/	5.0	10.0	15.0	20.0	25.0	30.0	35.0	40.0	45.0	50.0	55.0
DIM	P	13	14	15	16	17	18	19	20	21	22	23	24
L		66.0	71.0	76.0	81.0	86.0	91.0	96.0	101.0	106.0	111.0	116.0	121.0
A		60.0	65.0	70.0	75.0	80.0	85.0	90.0	95.0	100	105.0	110.0	115.0
Total Pitch Tolerances in mm						Nominal dimension range in mm							
over	over	over	over	over	over	over	over	over	over	over	over	over	over
0	30	53	70	90	115	150	200	250	0	30	53	70	90
to	to	to	to	to	to	to	to	to	to	to	to	to	to
30	53	70	90	115	150	200	250	320	30	53	70	90	115
±0.20	±0.25	±0.3	±0.35	±0.44	±0.55	±0.70	±0.85	±1.00	±0.25	±0.30	±0.35	±0.44	±0.55
±0.70	±0.80	±0.90	±1.20										

4	SPRING COIL	P	Stainless steel	/
3	SOLDER PIN	P	Copper Alloy	Tin Plated
2	COVER	1	PA66	UL94-V0
1	HOUSING	P	PA66	UL94-V0
ITEM	NAME OF PART	Q'TY	MATERIAL	NOTE

DWG.	CZM	DATE	2021.11.16	UNITS	MM	SHEET/OF	1/1
CHK.		DATE		SCALE	2.5 : 1	A4	
APP.		DATE		NAME	TLM-203-XXP-X		
				DWGN0	TLDW-TLM203XXPX		
ELECTRICAL MACHINERY(NINGBO)CO.,LTD.							