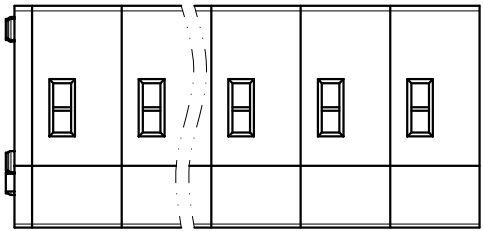
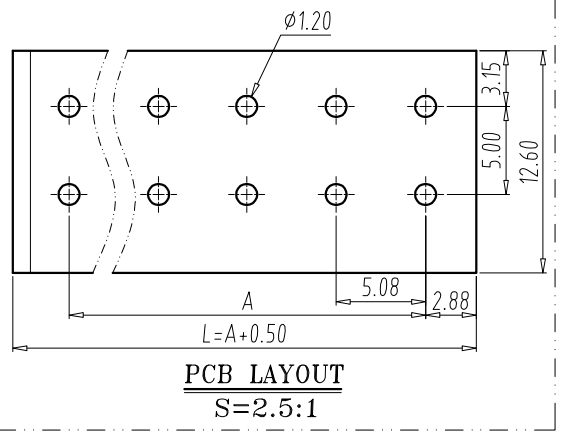
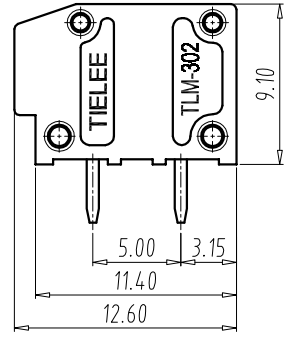
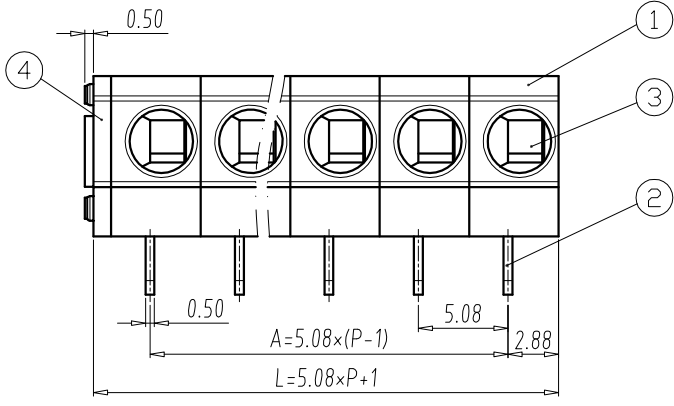
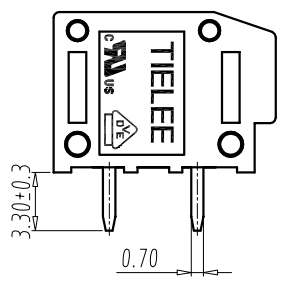


REV	E.C.N NO	CONTENT	CHK	DATE
V2.0	S2204002	Update parameters	CFJ	2022.03.09



NOTES:

- UL:
 - Rating:300V, 10A
 - Insulation Withstands Voltage:AC1600V/MIN
 - Suitable Electric Wire:20AWG~14AWG
 - Using Temperature Range:-40℃~+105℃
- IEC:
 - Rating:320V, 24A
 - Rate Impulse Voltage:4000V
 - Insulation Resistance:500MΩ or more at DC500V
 - Contact Resistance: ≤5mΩ
 - Material Group: I
 - Pollution Degree:2
 - Overvoltage Category:III
 - Suitable Electric Wire:0.2mm²~1.5mm²
 - Using Temperature Range:-40℃~+120℃
- Strip length:9.0mm~10.0mm
- RoHS compliance



DIM	P	2	3	4	5	6	7	8	9	10	11	12	
L		11.16	16.24	21.32	26.40	31.48	36.56	41.64	46.72	51.80	56.88	61.96	
A		5.08	10.16	15.24	20.32	25.40	30.48	35.56	40.64	45.72	50.80	55.88	
DIM	P	13	14	15	16	17	18	19	20	21	22	23	24
L		67.04	72.12	77.20	82.28	87.36	92.44	97.52	102.60	107.68	112.76	117.84	122.92
A		60.96	66.04	71.12	76.20	81.28	86.36	91.44	96.52	101.60	106.68	111.76	116.84

Total Pitch Tolerances in mm																Nominal dimension range in mm																					
over	over	over	over	over	over	over	over	over	over	over	over	over	over	over	over	over	over	over	over	over	over	over	over	over	over	over	over	over	over								
0	30	53	70	90	115	150	200	250	300	350	400	450	500	550	600	0	30	53	70	90	115	150	200	250	300	350	400	450	500	550							
to	to	to	to	to	to	to	to	to	to	to	to	to	to	to	to	to	to	to	to	to	to	to	to	to	to	to	to	to	to	to							
30	53	70	90	115	150	200	250	320	30	53	70	90	115	150	200	250	320	30	53	70	90	115	150	200	250	320	30	53	70	90	115	150	200	250	320		
±0.20	±0.25	±0.30	±0.35	±0.44	±0.55	±0.70	±0.85	±1.00	±0.25	±0.30	±0.35	±0.44	±0.55	±0.70	±0.80	±0.90	±1.20	±0.20	±0.25	±0.30	±0.35	±0.44	±0.55	±0.70	±0.80	±0.90	±1.20	±0.20	±0.25	±0.30	±0.35	±0.44	±0.55	±0.70	±0.80	±0.90	±1.20

4	COVER	1	PA66	UL94 V-0
3	SPRING	P	STAINLESS	/
2	SOLDER PIN	P	Copper Alloy	Tin Plated
1	HOUSING	1	PA66	UL94 V-0
ITEM	NAME OF PART	Q'TY	MATERIAL	NOTE

DWG	CZ	DATE	2021.02.04	UNITS	MM	SHEET/OF	1/1
CHK.		DATE		SCALE	2.5 : 1	A4	
APP		DATE		NAME TLM-302R-XXP-X			
				ELECTRICAL MACHINERY(NINGBO)CO.,LTD.			
				DWGNO	TLDW-TLM302RXXPX		