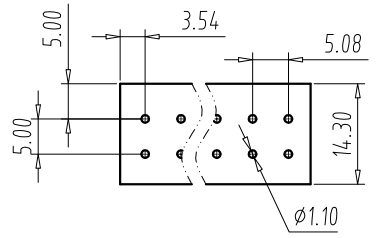


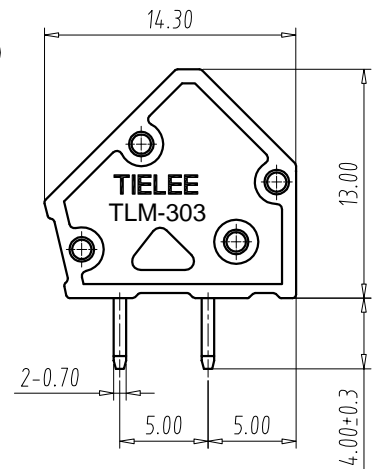
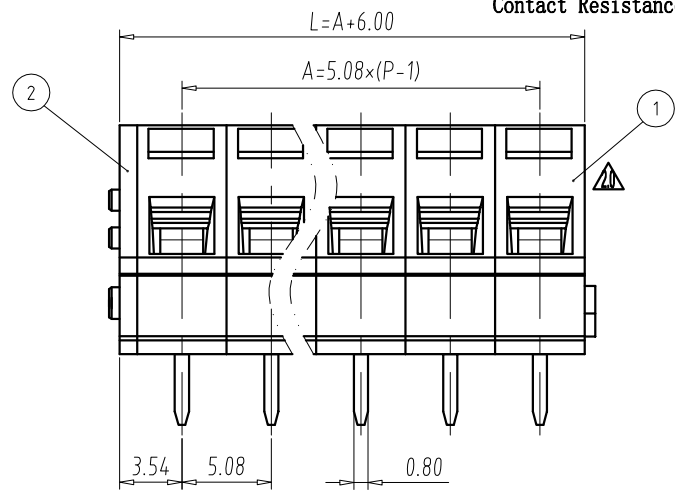
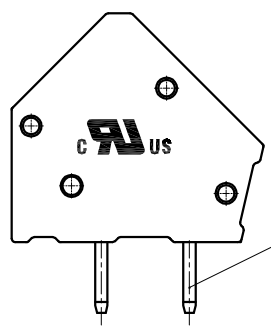
REV	E.C.N NO.	CONTENT	CHK	DATE
V2.0	S2206008	Optimize the structure	ZZW	2022.12.13



**PCB LAYOUT**  
S=1:1

**NOTES:**

- UL:**  
 Rating:300V, 15A;  
 Insulation Withstands Voltage:AC1600V/MIN;  
 Suitable Electric Wire:22AWG~12AWG  
 Using Temperature Range:-40°C~+105°C;
  - IEC:**  
 Rating:320V, 24A;  
 Rate Impulse Voltage:4000V;  
 Insulation Resistance:  
 500MΩ or more at DC500V;  
 Contact Resistance: ≤5mΩ
- Material Group: I ;**  
**Pollution Degree:2;**  
**Overvoltage Category:III;**  
**Suitable Electric Wire:**  
**0.34mm<sup>2</sup>~2.5mm<sup>2</sup>**  
**Using Temperature Range:-40°C~+120°C;**  
**3.Strip length:5-6mm**  
**4.RoHS compliance;**



DIM	P	1	2	3	4	5	6	7	8	9	10	11	12
L		6.08	11.08	16.16	21.24	26.32	31.4	36.48	41.56	46.64	51.72	56.8	61.88
A		/	5.08	10.16	15.24	20.32	25.4	30.48	35.56	40.64	45.72	50.8	55.88
DIM	P	13	14	15	16	17	18	19	20	21	22	23	24
L		66.96	72.04	77.12	82.2	87.28	92.36	97.44	102.52	107.6	112.68	117.76	122.84
A		60.96	66.04	71.12	76.2	81.28	86.36	91.44	96.52	101.6	106.68	111.76	116.84
Total Pitch Tolerances in mm						Nominal dimension range in mm							
over	over	over	over	over	over	over	over	over	over	over	over	over	over
0	30	53	70	90	115	150	200	250	0	30	53	70	90
to	to	to	to	to	to	to	to	to	to	to	to	to	to
30	53	70	90	115	150	200	250	320	30	53	70	90	115
±0.20	±0.25	±0.3	±0.35	±0.44	±0.55	±0.70	±0.85	±1.00	±0.25	±0.30	±0.35	±0.44	±0.55
									±0.70	±0.80	±0.90	±1.20	

4	SPRING COIL	P	Stainless steel	/
3	SOLDER PIN	P	Copper Alloy	Tin Plated
2	COVER	1	PA66	UL94-V0
1	HOUSING	P	PA66	UL94-V0
ITEM	NAME OF PART	Q'TY	MATERIAL	NOTE

DWG.	ZZW	DATE	2022.06.08	UNITS	MM	SHEET/OF	1/1
CHK.		DATE		SCALE	2.5 : 1	A4	
APP.		DATE		NAME <b>TLM-303-XXP-X</b>			
TIANLI ELECTRICAL MACHINERY(NINGBO)CO.,LTD.				DWGNO	TLDW-TLM303XXPX		