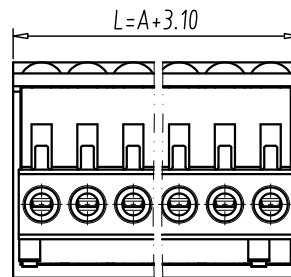
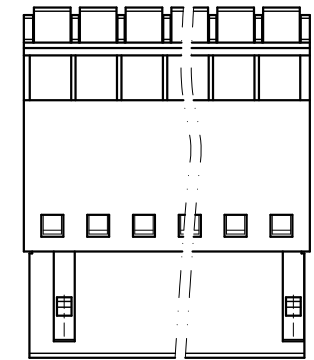
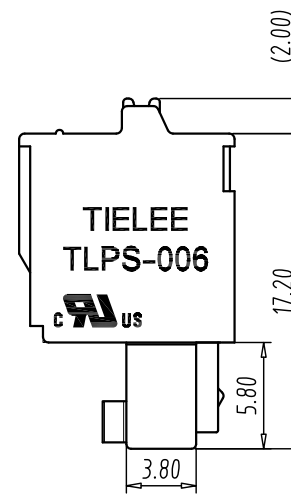
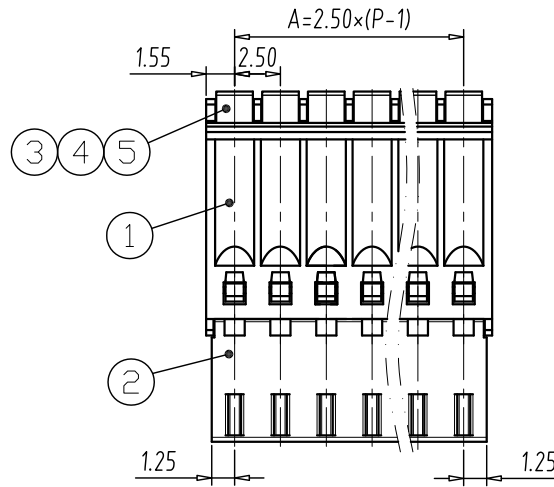
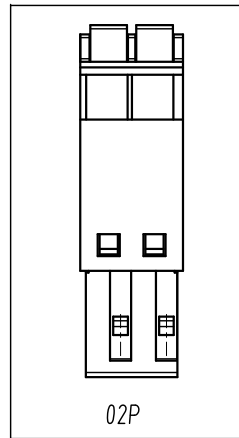
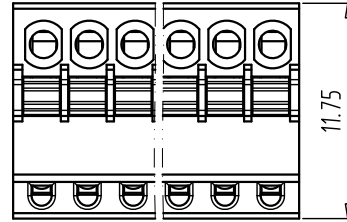


REV	E.C.N NO.	CONTENT	CHK	DATE
V1.0		ORIGINAL	SK	2021.08.11

NOTES:

- UL:  
Rating:150V, 5A;  
Insulation Withstands Voltage:AC1300V/1MIN;  
Suitable Electric Wire:28AWG~20AWG
- IEC:  
Insulation Resistance:500MΩ or more at DC500V;  
Contact Resistance: ≤5mΩ
- Using Temperature Range:-40℃~+115℃;
- Strip length:7.5~8.5mm
- RoHS compliance;



DIM	P	02	03	04	05	06	07	08	09	10	11	12
L		5.6	8.1	10.6	13.1	15.6	18.1	20.6	23.1	25.6	28.1	30.6
A		2.5	5	7.5	10	12.5	15	17.5	20	22.5	25	27.5

DIM	P	13	14	15	16	17	18	19	20	21	22	23	24
L		33.1	35.6	38.1	40.6	43.1	45.6	48.1	50.6	53.1	55.6	58.1	60.6
A		30	32.5	35	37.5	40	42.5	45	47.5	50	52.5	55	57.5

Total Pitch Tolerances in mm								Nominal dimension range in mm							
over	over	over	over	over	over	over	over	over	over	over	over	over	over	over	over
0	30	53	70	90	115	150	200	0	30	53	70	90	115	150	200
to	to	to	to	to	to	to	to	to	to	to	to	to	to	to	to
30	53	70	90	115	150	200	250	30	53	70	90	115	150	200	250
±0.20	±0.25	±0.3	±0.35	±0.44	±0.55	±0.70	±0.85	±1.00	±0.25	±0.30	±0.35	±0.44	±0.55	±0.70	±0.80

5	CLAMP	P	COPPER ALLOY	TIN PLATED
4	SPRING	P	STAINLESS	/
3	LEVER	P	POM	ORANGE
2	COVER	1	PA66	UL94V-0
1	HOUSING	1	PA66	UL94V-0
ITEM	NAME OF PART	Q'TY	MATERIAL	NOTE

DWG.	SK	DATE	2021.01.29	UNITS	MM	SHEET/OF	1/1
CHK.		DATE		SCALE	2.5 : 1	A4	
APP.		DATE		NAME: TLPS-006V-XXP-X DWGNO: TLDW-TLPS006VXXPX			
TIANLI ELECTRICAL MACHINERY(NINGBO)CO.,LTD.							