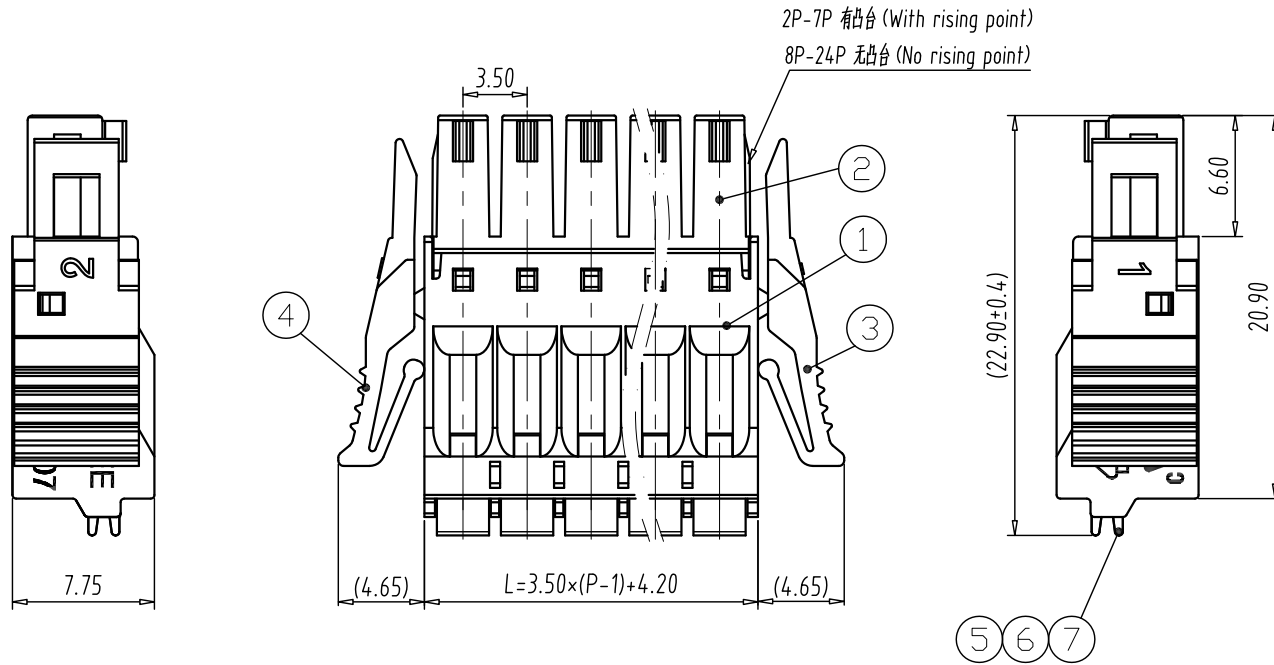
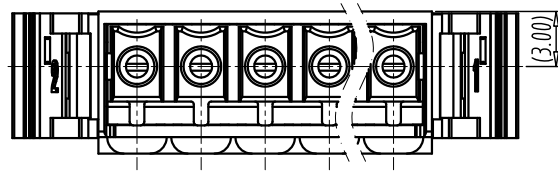


REV	E.C.N NO.	CONTENT	CHK	DATE
V2.0	S2204021	Sort out drawing	SK	2022.05.03



NOTES:

- UL:
 - Rating:300V, 8A;
 - Insulation Withstands Voltage:AC1600V/1MIN;
 - Suitable Electric Wire:28AWG~16AWG
 - Using Temperature Range:-40℃~+115℃;
- IEC:
 - Rating:160V, 10A;
 - Rate Impulse Voltage:2500V;
 - Insulation Resistance:500MΩ or more at DC500V;
 - Contact Resistance: ≤5mΩ
 - Material Group: I;
 - Pollution Degree:3;
 - Overvoltage Category:III;
 - Suitable Electric Wire:0.34mm²~1.5mm²
 - Using Temperature Range:-40℃~+120℃;
- Strip length:9.5~10.5mm
- RoHS compliance;

7	CLAMP	P	COPPER ALLOY	TIN PLATED
6	SPRING	P	STAINLESS STEEL	/
5	LEVER	P	POM	ORANGE
4	LOCK CATCH 2	1	PA66	UL94V-0
3	LOCK CATCH 1	1	PA66	UL94V-0
2	COVER	1	PA66	UL94V-0
1	HOUSING	1	PA66	UL94V-0
ITEM	NAME OF PART	Q'TY	MATERIAL	NOTE

DIM	P	02	03	04	05	06	07	08	09	10	11	12	
L		7.7	11.2	14.7	18.2	21.7	25.2	28.7	32.2	35.7	39.2	42.7	
DIM	P	13	14	15	16	17	18	19	20	21	22	23	24
L		46.2	49.7	53.2	56.7	60.2	63.7	67.2	70.7	74.2	77.7	81.2	84.7

Total Pitch Tolerances in mm										Nominal dimension range in mm									
over	over	over	over	over	over	over	over	over	over	over	over	over	over	over	over	over	over	over	over
0	30	53	70	90	115	150	200	250	300	0	30	53	70	90	115	150	200	250	300
to	to	to	to	to	to	to	to	to	to	to	to	to	to	to	to	to	to	to	to
30	53	70	90	115	150	200	250	320	300	30	53	70	90	115	150	200	250	320	320
±0.20	±0.25	±0.3	±0.35	±0.44	±0.55	±0.70	±0.85	±1.00	±0.25	±0.30	±0.35	±0.44	±0.55	±0.70	±0.80	±0.90	±1.20		

DWG.	SK	DATE	2020.01.23	UNITS	MM	SHEET/OF	1/1
CHK.		DATE		SCALE	2.5 : 1	A4	
APP.		DATE		NAME: TLPSL-007-XXP-X			
				ELECTRICAL MACHINERY(NINGBO)CO.,LTD.			
				DWGNO.	TLDW-TLPSL007XXPX		