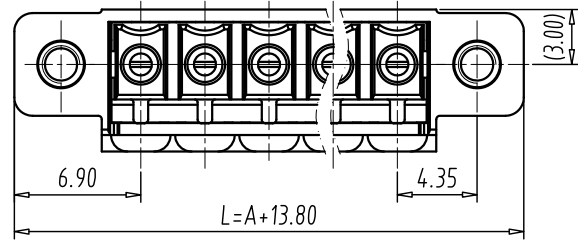
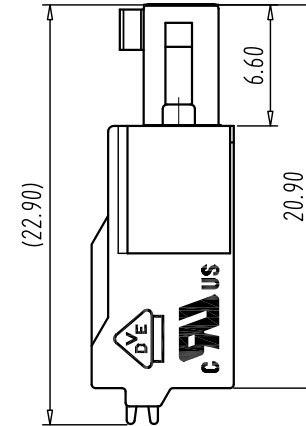
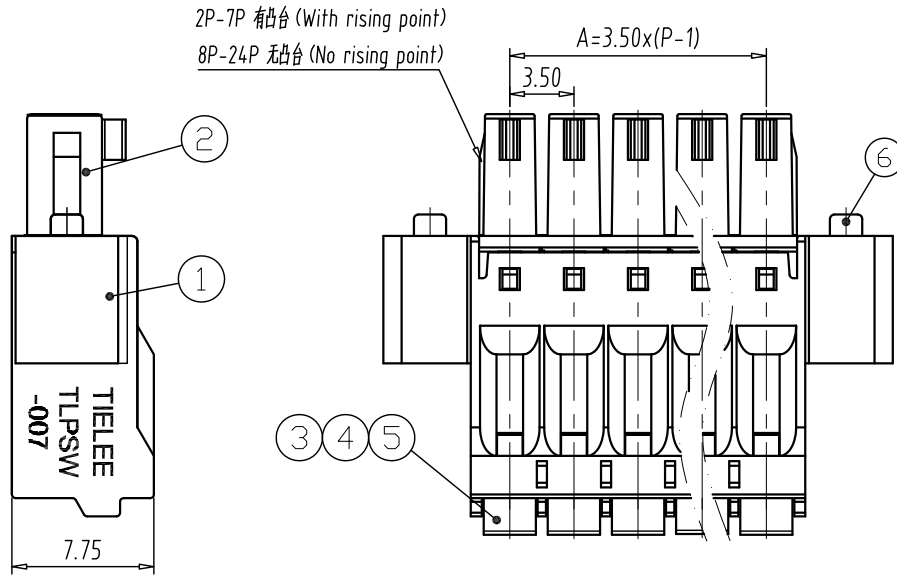


REV	E.C.N NO.	CONTENT	CHK	DATE
V2.0	S2204021	Sort out drawing	SK	2022.05.03



2P-7P 有凸台 (With rising point)
8P-24P 无凸台 (No rising point)



NOTES:

- UL:
 - Rating:300V, 8A;
 - Insulation Withstands Voltage:AC1600V/1MIN;
 - Suitable Electric Wire:28AWG~16AWG
 - Using Temperature Range:-40°C~+115°C;
- IEC:
 - Rating:160V, 10A;
 - Rate Impulse Voltage:2500V;
 - Insulation Resistance:500MΩ or more at DC500V;
 - Contact Resistance: ≤5mΩ
 - Material Group: I;
 - Pollution Degree:3;
 - Overvoltage Category:III;
 - Suitable Electric Wire:0.34mm²~1.5mm²
 - Using Temperature Range:-40°C~+120°C;
- Strip length:9.5~10.5mm
- RoHS compliance;

DIM	P	2	3	4	5	6	7	8	9	10	11	12	
L		17.3	20.8	24.3	27.8	31.3	34.8	38.3	41.8	45.3	48.8	52.3	
A		3.5	7	10.5	14	17.5	21	24.5	28	31.5	35	38.5	
DIM	P	13	14	15	16	17	18	19	20	21	22	23	24
L		55.8	59.3	62.8	66.3	69.8	73.3	76.8	80.3	83.8	87.3	90.8	94.3
A		4.2	4.5	4.9	5.2	5.6	5.9	6.3	6.6	7.0	7.3	7.7	8.0

Total Pitch Tolerances in mm								Nominal dimension range in mm									
over	over	over	over	over	over	over	over	over	over	over	over	over	over	over	over	over	over
0	30	53	70	90	115	150	200	0	30	53	70	90	115	150	200	250	
to	to	to	to	to	to	to	to	to	to	to	to	to	to	to	to	to	
30	53	70	90	115	150	200	250	30	53	70	90	115	150	200	250	320	
±0.20	±0.25	±0.3	±0.35	±0.44	±0.55	±0.70	±0.85	±1.00	±0.25	±0.30	±0.35	±0.44	±0.55	±0.70	±0.80	±0.90	±1.20

6	SCREW	2	STEEL	M2.5\Zn Plated
5	CLAMP	P	COPPER ALLOY	TIN PLATED
4	SPRING	P	STAINLESS STEEL	/
3	LEVER	P	POM	ORANGE
2	COVER	1	PA66	UL94V-0
1	HOUSING	1	PA66	UL94V-0
ITEM	NAME OF PART	Q'TY	MATERIAL	NOTE

DWG.	SK	DATE	2020.01.25	UNITS	MM	SHEET/OF	1/1
CHK.		DATE		SCALE	2.5 : 1	A4	
APP.		DATE		NAME: TLPSW-007-XXP-X DWGNO: TLDW-TLPSW007XXPX			
TIANLI ELECTRICAL MACHINERY(NINGBO)CO.,LTD.							