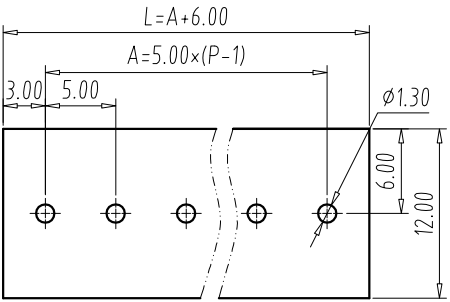
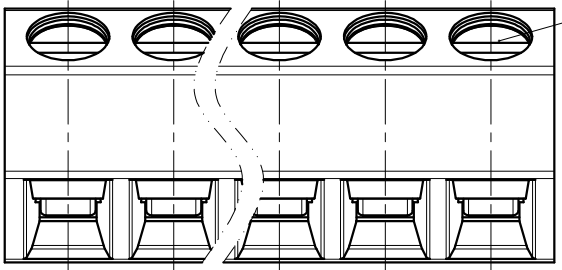


FILE: \_\_\_\_\_

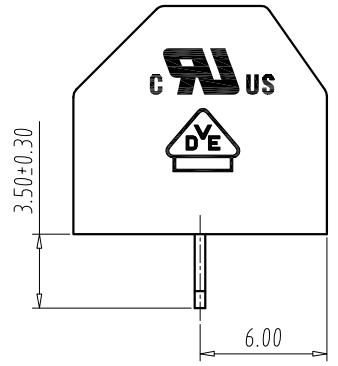
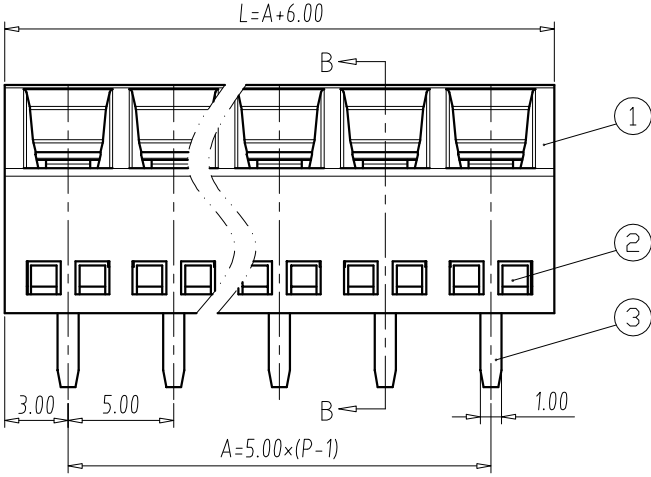
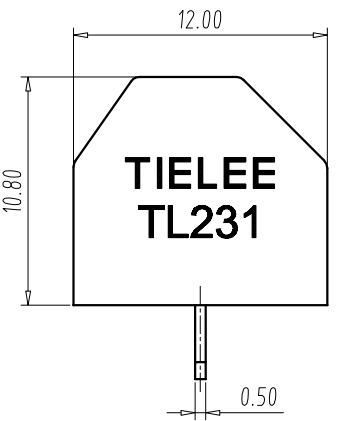
REV	E.C.N NO.	CONTENT	CHK	DATE
V2.0	S2409004	Update the drawing	ZX	2024.09.09



**PCB LAYOUT**  
S=2:1



- NOTES:**
- UL:**  
 Rating:300V, 15A;  
 Insulation Withstands Voltage:AC1600V/MIN;  
 Suitable Electric Wire:26AWG~14AWG  
 Using Temperature Range:-40℃~+115℃;
  - IEC:**  
 Rating:320V, 17.5A;  
 Rate Impulse Voltage:4000V;  
 Insulation Resistance:500MΩ or more at DC500V;  
 Contact Resistance: ≤5mΩ  
 Material Group: I ;Pollution Degree:2;  
 Overvoltage Category:III;  
 Suitable Electric Wire:0.2mm² ~1.5mm²  
 Using Temperature Range:-40℃~+115℃;
  - Screw Torque Value:**0.4N·m(02P)/0.5N·m(≥03P)
  - Strip length:**6.0~7.0mm
  - RoHS compliance;**



DIM	P	2	3	4	5	6	7	8	9	10	11	12
L		11.0	16.0	21.0	26.0	31.0	36.0	41.0	46.0	51.0	56.0	61.0
A		5.0	10.0	15.0	20.0	25.0	30.0	35.0	40.0	45.0	50.0	55.0

DIM	P	13	14	15	16	17	18	19	20	21	22	23	24
L		66.0	71.0	76.0	81.0	86.0	91.0	96.0	101.0	106.0	111.0	116.0	121.0
A		60.0	65.0	70.0	75.0	80.0	85.0	90.0	95.0	100.0	105.0	110.0	115.0

Total Pitch Tolerances in mm												Nominal dimension range in mm											
over	over	over	over	over	over	over	over	over	over	over	over	over	over	over	over	over	over	over	over	over	over		
0	30	53	70	90	115	150	200	250	0	30	53	70	90	115	150	200	250	0	30	53	70		
to	to	to	to	to	to	to	to	to	to	to	to	to	to	to	to	to	to	to	to	to	to		
30	53	70	90	115	150	200	250	320	30	53	70	90	115	150	200	250	320						
±0.20	±0.25	±0.3	±0.35	±0.44	±0.55	±0.70	±0.85	±1.00	±0.25	±0.30	±0.35	±0.44	±0.55	±0.70	±0.80	±0.90	±1.20						

5	SCREW	P	STEEL	M3/Zn Plated
4	BLOCK	P	Copper Alloy	Ni Plated
3	SOLDER PIN	P	Copper Alloy	Tin Plated
2	COVER	1	PA66	UL94 V-0
1	HOUSING	1	PA66	UL94 V-0
ITEM	NAME OF PART	Q'TY	MATERIAL	NOTE

DWG.	CZM	DATE	2021.08.24	UNITS	MM	SHEET/OF	1/1
CHK.		DATE		SCALE	3:1	A4	
APP.		DATE		NAME: <b>TL231-XXP-XS</b> DWGNO: TLDW-TL231XXPXS			
TIANLI ELECTRICAL MACHINERY (NINGBO) CO., LTD.							