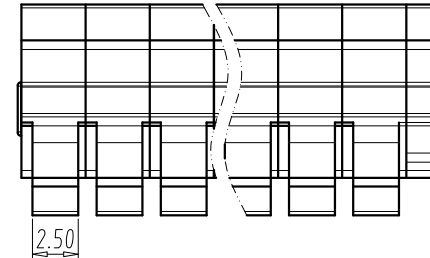
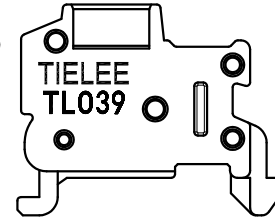
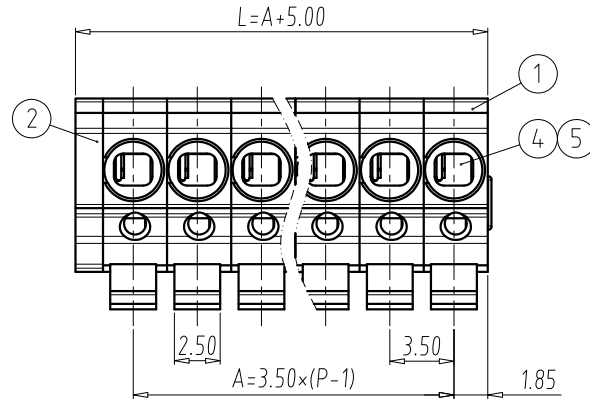
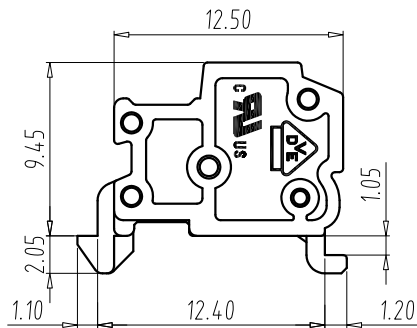
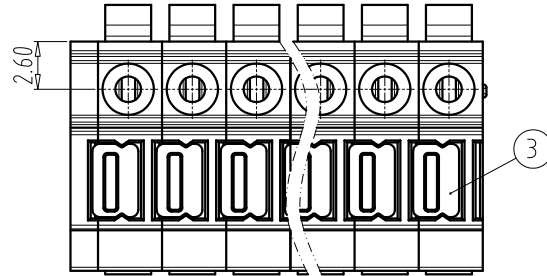
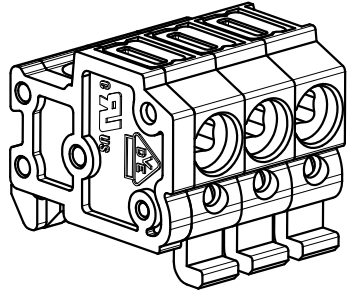


FILE: TL\039\TL039-XXP-X

REV	E.C.N NO.	CONTENT	CHK	DATE
V0.2	S2401019	ADD CUL AND VDE LOGO	HSR	2024.02.02

NOTES:

1. UL:
 Rating:150V, 7A;
 Insulation Withstands Voltage:AC1300V/MIN;
 Suitable Electric Wire:28AWG~16AWG
2. IEC:
 Rating:320V, 10A;
 Rate Impulse Voltage:2500V;
 Insulation Resistance:500MΩ or more at DC500V;
 Contact Resistance: ≤5mΩ
 Material Group: I
 Pollution Degree:2
 Overvoltage Category:II
 Suitable Electric Wire:0.5mm²~1.5mm²
3. Using Temperature Range:-40℃~+115℃;
4. Mating with Pin:φ1.0mm
5. Strip length:7mm
6. RoHS compliance;



DIM	P	2	3	4	5	6	7	8	9	10	11	12	
L		8.5	12.0	15.5	19.0	22.5	26.0	29.5	33.0	36.5	40.0	43.5	
A		3.5	7	10.5	14	17.5	21	24.5	28	31.5	35	38.5	
DIM	P	13	14	15	16	17	18	19	20	21	22	23	24
L		47	50.5	54	57.5	61	64.5	68	71.5	75	78.5	82	85.5
A		42	45.5	49	52.5	56	59.5	63	66.5	70	73.5	77	80.5

Total Pitch Tolerances in mm																Nominal dimension range in mm															
over	over	over	over	over	over	over	over	over	over	over	over	over	over	over	over	over	over	over	over	over	over	over	over	over	over	over	over	over			
0	30	53	70	90	115	150	200	250	0	30	53	70	90	115	150	200	250	300	320	300	320	350	370	400	450	500	550	600			
±0.20	±0.25	±0.3	±0.35	±0.44	±0.55	±0.70	±0.85	±1.00	±0.25	±0.30	±0.35	±0.44	±0.55	±0.70	±0.80	±0.90	±1.20														

5	SPRING	P	STAINLESS	/
4	CLAMP	P	COPPER ALLOY	Tin Plated
3	LEVER	P	PBT	UL94 V-0
2	COVER	1	PA66	UL94 V-0
1	HOUSING	P	PA66	UL94 V-0
ITEM	NAME OF PART	Q'TY	MATERIAL	NOTE

DWG.	ZHT	DATE	2020.09.29	UNITS	MM	SHEET/OF	1/1
CHK.		DATE		SCALE	2.5:1	A4	
APP.		DATE		NAME: TL039-XXP-X DWGNO: TLDW-TL039XXPX			
TIANLI ELECTRICAL MACHINERY(NINGBO)CO.,LTD.							