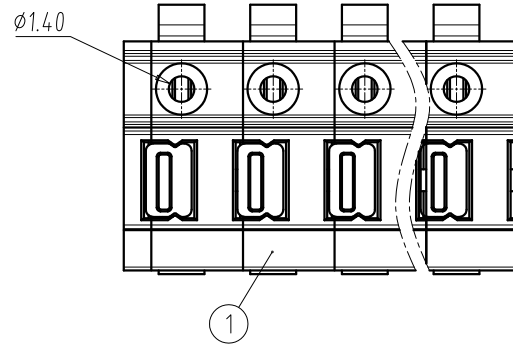
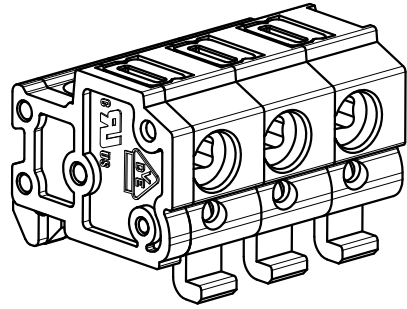


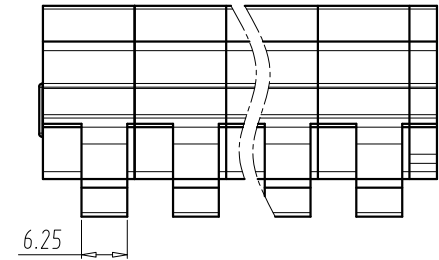
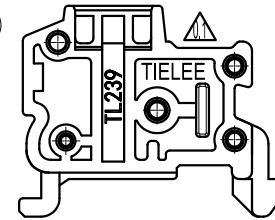
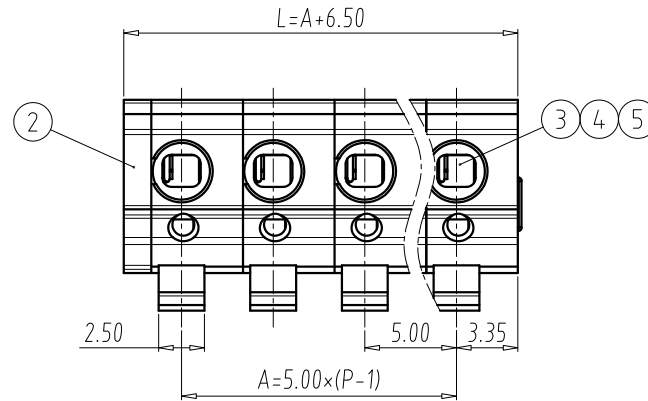
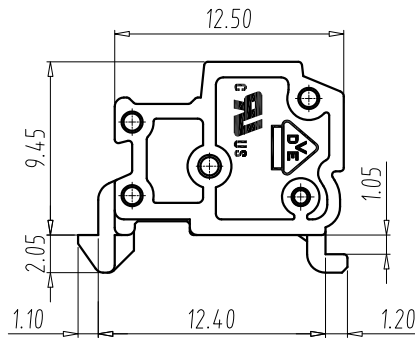
FILE: TL\239\TL239-XXP-X

REV	E.C.N NO.	CONTENT	CHK	DATE
V0.2	S2401019	ADD CUL AND VDE LOGO	HSR	2024.02.02



NOTES:

- UL:
  - Rating:300V, 7A;
  - Insulation Withstands Voltage:AC1600V/MIN;
  - Suitable Electric Wire:28AWG~16AWG
- IEC:
  - Rating:630V, 10A;
  - Rate Impulse Voltage:4000V;
  - Insulation Resistance:500M $\Omega$  or more at DC500V;
  - Contact Resistance:  $\leq 5m\Omega$
  - Material Group: I ;Pollution Degree:2;
  - Overvoltage Category:II;
  - Suitable Electric Wire:0.5mm<sup>2</sup>~1.5mm<sup>2</sup>
- Using Temperature Range:-40 $^{\circ}$ C~+115 $^{\circ}$ C;
- Strip length:7mm
- RoHS compliance;



DIM	P	2	3	4	5	6	7	8	9	10	11	12	
L		11.5	16.5	21.5	26.5	31.5	36.5	41.5	46.5	51.5	56.5	61.5	
A		5	10	15	20	25	30	35	40	45	50	55	
DIM	P	13	14	15	16	17	18	19	20	21	22	23	24
L		66.5	71.5	76.5	81.5	86.5	91.5	96.5	101.5	106.5	111.5	116.5	121.5
A		60	65	70	75	80	85	90	95	100	105	110	115

Total Pitch Tolerances in mm								Nominal dimension range in mm								
over	over	over	over	over	over	over	over	over	over	over	over	over	over	over	over	over
0	30	53	70	90	115	150	200	0	30	53	70	90	115	150	200	250
to	to	to	to	to	to	to	to	to	to	to	to	to	to	to	to	to
30	53	70	90	115	150	200	250	30	53	70	90	115	150	200	250	320
$\pm 0.20$	$\pm 0.25$	$\pm 0.3$	$\pm 0.35$	$\pm 0.44$	$\pm 0.55$	$\pm 0.70$	$\pm 1.00$	$\pm 0.25$	$\pm 0.30$	$\pm 0.35$	$\pm 0.44$	$\pm 0.55$	$\pm 0.70$	$\pm 0.80$	$\pm 0.90$	$\pm 1.20$

5	SPRING	P	STAINLESS	
4	CLAMP	P	COPPER ALLOY	Tin Plated
3	LEVER	P	PBT	UL94 V-0
2	COVER	1	PA66	UL94 V-0
1	HOUSING	P	PA66	UL94 V-0
ITEM	NAME OF PART	Q'TY	MATERIAL	NOTE

DWG.	ZHT	DATE	2020.09.29	UNITS	MM	SHEET/OF	1/1
CHK.		DATE		SCALE	2.5:1	A4	
APP.		DATE		NAME: TL239-XXP-X DWGNO: TLDW-TL239XXPX			
TIANLI ELECTRICAL MACHINERY(NINGBO)CO.,LTD.							