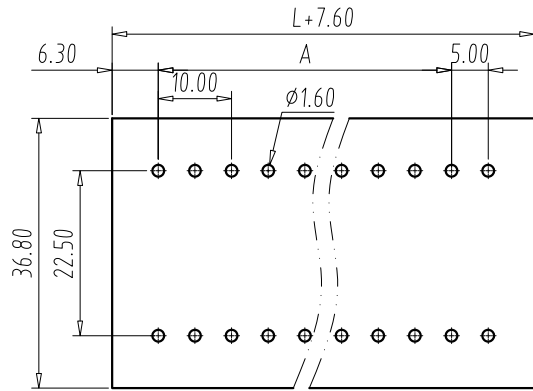
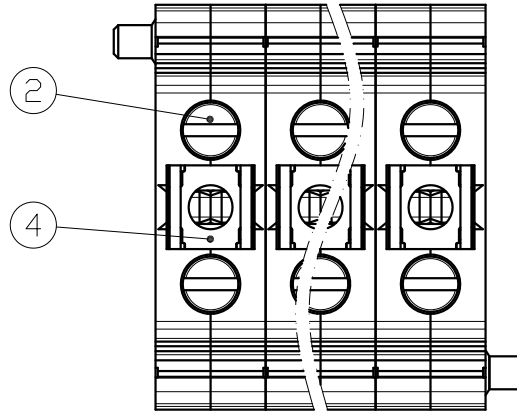


FILE: TL\705\TL705D-XXP(XS)

REV	E.C.N NO.	CONTENT	CHK	DATE
V0.1		DRAWING UPDATE	HSR	2023.11.01

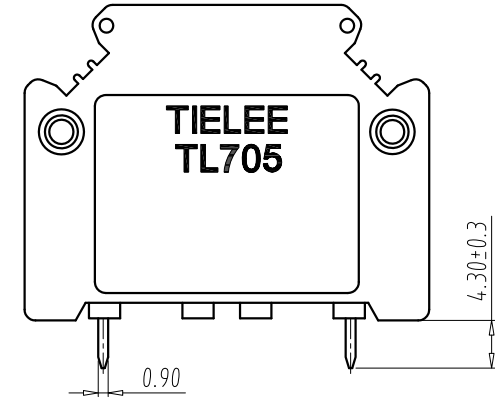
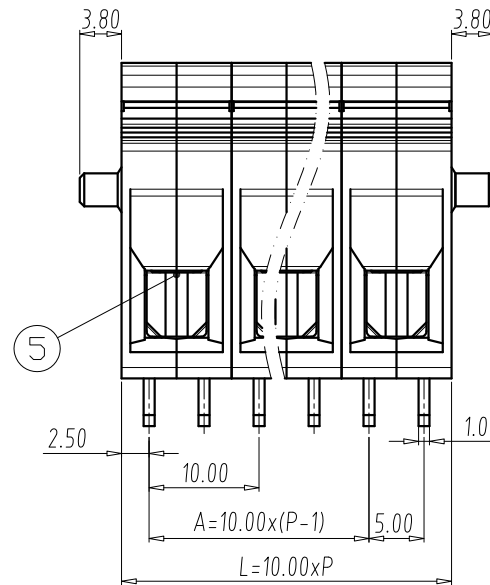
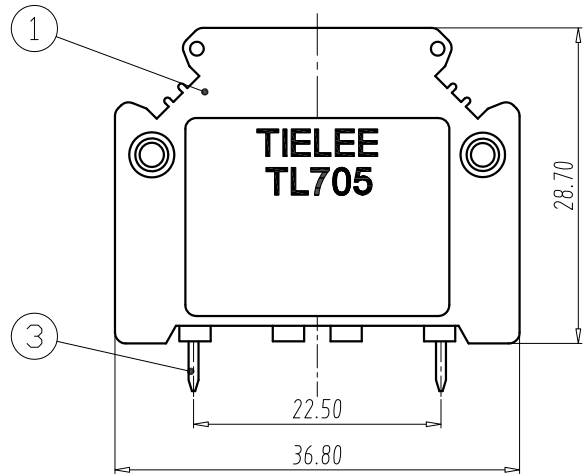


**PCB LAYOUT**



**NOTES:**

- UL:  
Rating:300V, 65A;  
Insulation Withstands Voltage:AC1600V/MIN;  
Suitable Electric Wire:24AWG~6AWG
- IEC:  
Rating:320V, 76A;  
Rate Impulse Voltage:4000V;  
Insulation Resistance:500MΩ or more at DC500V;  
Contact Resistance: ≤5mΩ  
Material Group: I ;  
Pollution Degree:2;  
Overvoltage Category:III;  
Suitable Electric Wire:0.5mm<sup>2</sup>~16mm<sup>2</sup>
- Using Temperature Range:-40℃~+115℃;
- Screw Torque Value:1.2N·m
- Strip length:12~13mm
- RoHS compliance;



5	PRESSING LINE PLATE	2P	Copper Alloy	Ni Plated
4	ELECTRIC	P	Copper Alloy	Ni Plated
3	SOLDER PIN	P	Copper Alloy	Tin Plated
2	SCREW	2P	Copper Alloy	M4/Ni Plated
1	HOUSING	2P	PA66	UL94V-0

DIM	P	1	2	3	4	5	6	7	8	9	10	11	12
A	/	10.00	20.00	30.00	40.00	50.00	60.00	70.00	80.00	90.00	100.00	110.00	120.00
L		10.00	20.00	30.00	40.00	50.00	60.00	70.00	80.00	90.00	100.00	110.00	120.00

Total Pitch Tolerances in mm												Nominal dimension range in mm											
over	over	over	over	over	over	over	over	over	over	over	over	over	over	over	over	over	over	over	over	over	over		
0	30	53	70	90	115	150	200	250	300	350	400	0	30	53	70	90	115	150	200	250	320		
to	to	to	to	to	to	to	to	to	to	to	to	to	to	to	to	to	to	to	to	to	to		
30	53	70	90	115	150	200	250	320	350	400	450	30	53	70	90	115	150	200	250	320	400		
±0.20	±0.25	±0.3	±0.35	±0.44	±0.55	±0.70	±0.85	±1.00	±0.25	±0.30	±0.35	±0.44	±0.55	±0.70	±0.80	±0.90	±1.20						

DWG.	HSR	DATE	2023.07.11	UNITS	MM	SHEET/OF	1/1
CHK.		DATE		SCALE	15:1	A4	
APP.		DATE		NAME: <b>TL705D-XXP(XS)</b>			
				ELECTRICAL MACHINERY(NINGBO)CO.,LTD.			
				DWGNO.	TLDW-TL705DXXPXS		