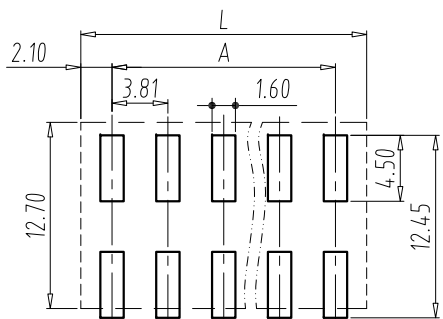
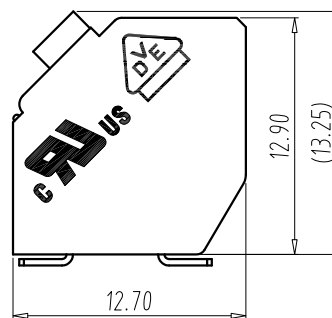
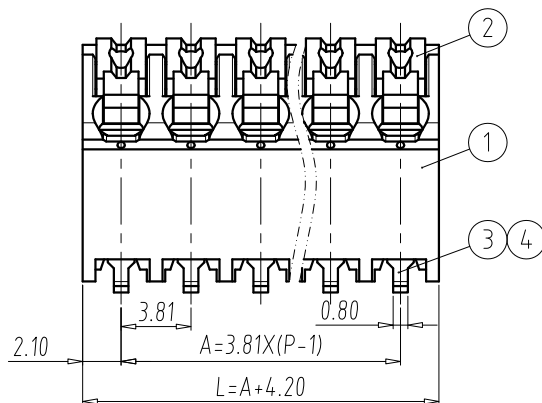
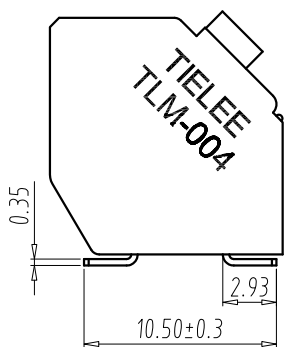
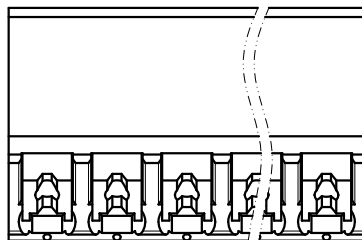


REV	E.C.N NO.	CONTENT	CHK	DATE
V0.1	S2309004	Add VDE and UL Logo	ZZW	2023.09.25



PCB LAYOUT
S=2:1



NOTES:

- UL:
 - Rating:300V, 12A;
 - Insulation Withstands Voltage:AC1600V/MIN;
 - Suitable Electric Wire:28AWG~16AWG
 - Using Temperature Range:-40°C~+130°C;
- IEC:
 - Rating:160V, 17.5A;
 - Rate Impulse Voltage:2500V;
 - Insulation Resistance:500MΩ or more at DC500V;
 - Contact Resistance: ≤5mΩ
 - Material Group:IIIa;
 - Pollution Degree:2;
 - Overvoltage Category:III;
 - Suitable Electric Wire:0.2mm²~1.5mm²
 - Using Temperature Range:-40°C~+120°C;
- Strip length:8.0~9.0mm
- RoHS compliance;

DIM	P	2	3	4	5	6	7	8	9	10	11	12	
A		3.81	7.62	11.43	15.24	19.05	22.86	26.67	30.48	34.29	38.1	41.91	
L		8.01	11.82	15.63	19.44	23.25	27.06	30.87	34.68	38.49	42.3	46.11	
DIM	P	13	14	15	16	17	18	19	20	21	22	23	24
A		45.72	49.53	53.34	57.15	60.96	64.77	68.58	72.39	76.2	80.01	83.82	87.63
L		49.92	53.73	57.54	61.35	65.16	68.97	72.78	76.59	80.4	84.21	88.02	91.83
Total Pitch Tolerances in mm						Nominal dimension range in mm							
over	over	over	over	over	over	over	over	over	over	over	over	over	over
0	30	53	70	90	115	150	200	250	0	30	53	70	90
to	to	to	to	to	to	to	to	to	to	to	to	to	to
30	53	70	90	115	150	200	250	320	30	53	70	90	115
±0.20	±0.25	±0.3	±0.35	±0.44	±0.55	±0.70	±0.85	±1.00	±0.25	±0.30	±0.35	±0.44	±0.55
±0.70	±0.80	±0.90	±1.20										

4	SOLDER PIN	P	H-Copper Alloy	Tin Plated
3	SPRING	P	Stainless	/
2	LEVER	P	PA-HT	UL94 V-0
1	HOUSING	1	PA-HT	UL94 V-0
ITEM	NAME OF PART	Q'TY	MATERIAL	NOTE

DWG.	YHZ	DATE	2022.05.28	UNITS	MM	SHEET/OF	1/1
CHK.		DATE		SCALE	2.5 : 1	A4	
APP.		DATE		NAME TLM-004AS-3.81-XXP(X) DWGNO. TLDW-TLM004AS3.81XXP(X)			