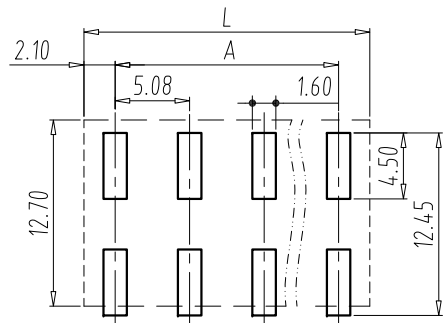
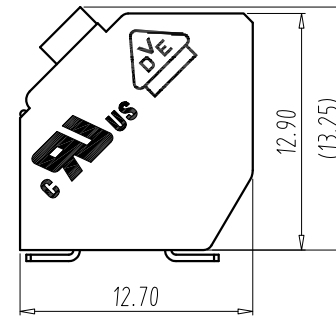
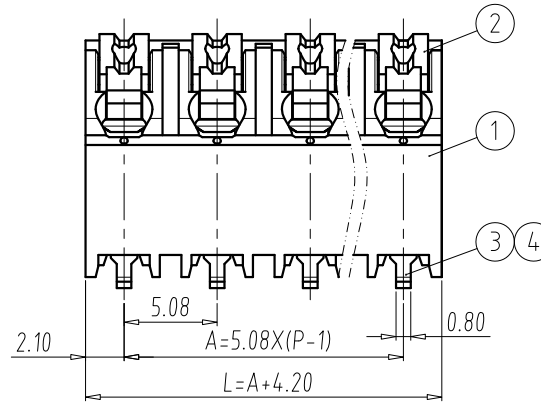
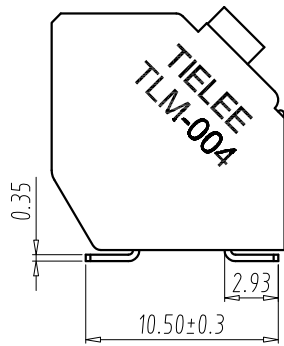
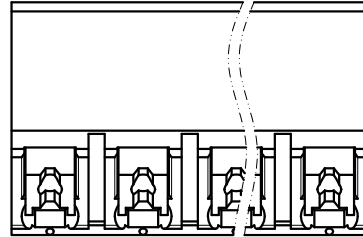


FILE: TLM004\TLM-004AS-5.08-XXP(X)

REV	E.C.N NO.	CONTENT	CHK	DATE
V0.1	S2309004	Add VDE and UL Logo	ZZW	2023.09.25



PCB LAYOUT
S=2:1



NOTES:

1. UL:

Rating:300V, 12A;
Insulation Withstands Voltage:AC1600V/MIN;
Suitable Electric Wire:28AWG~16AWG
Using Temperature Range:-40°C~+130°C;

2. IEC:

Rating:320V, 17.5A;
Rate Impulse Voltage:4000V;
Insulation Resistance:500MΩ or more at DC500V;
Contact Resistance: ≤5mΩ

Material Group:IIIa;

Pollution Degree:2;

Overvoltage Category:III;

Suitable Electric Wire:0.2mm²~1.5mm²
Using Temperature Range:-40°C~+120°C;

3. Strip length:8.0~9.0mm

4. RoHS compliance;

DIM	P	2	3	4	5	6	7	8	9	10	11	12	
A		5.08	10.16	15.24	20.32	25.4	30.48	35.56	40.64	45.72	50.8	55.88	
L		9.28	14.36	19.44	24.52	29.6	34.68	39.76	44.84	49.92	55.0	60.08	
DIM	P	13	14	15	16	17	18	19	20	21	22	23	24
A		60.96	66.04	71.12	76.2	81.28	86.36	91.44	96.52	101.6	106.68	111.76	116.84
L		65.16	70.24	75.32	80.4	85.48	90.56	95.64	100.72	105.8	110.88	115.96	121.04

Total Pitch Tolerances in mm												Nominal dimension range in mm											
over	over	over	over	over	over	over	over	over	over	over	over	over	over	over	over	over	over	over	over	over	over		
0	30	53	70	90	115	150	200	250	300	320	360	0	30	53	70	90	115	150	200	250	320		
to	to	to	to	to	to	to	to	to	to	to	to	to	to	to	to	to	to	to	to	to	to		
30	53	70	90	115	150	200	250	320	360	390	420	30	53	70	90	115	150	200	250	320	360		
±0.20	±0.25	±0.3	±0.35	±0.44	±0.55	±0.70	±0.85	±1.00	±0.25	±0.30	±0.35	±0.44	±0.55	±0.70	±0.80	±0.90	±1.20						

4	SOLDER PIN	P	H-Copper Alloy	Tin Plated
3	SPRING	P	Stainless	/
2	LEVER	P	PA-HT	UL94 V-0
1	HOUSING	1	PA-HT	UL94 V-0
ITEM	NAME OF PART	Q'TY	MATERIAL	NOTE

DWG.	YHZ	DATE	2022.05.28	UNITS	MM	SHEET/OF	1/1
CHK.		DATE		SCALE	2.5 : 1	A4	
APP.		DATE		NAME	TLM-004AS-5.08-XXP(X)		
				DWGNO.	TLDW-TLM004AS5.08XXP(X)		

TIANLI
ELECTRICAL MACHINERY(NINGBO)CO.,LTD.