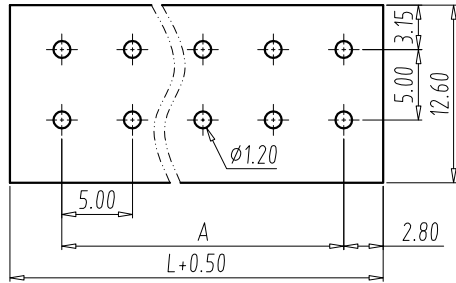
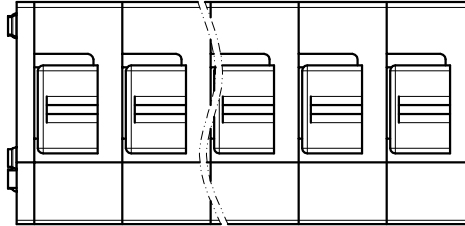


FILE: TLM\201\TLM-201R-XXP-X

REV	E.C.N NO.	CONTENT	CHK	DATE
V2.0	S2204002	Update parameters	CFJ	2022.03.09

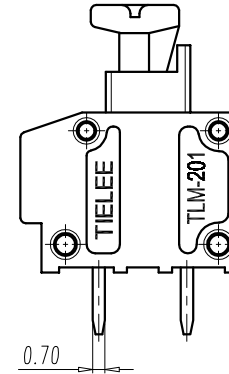
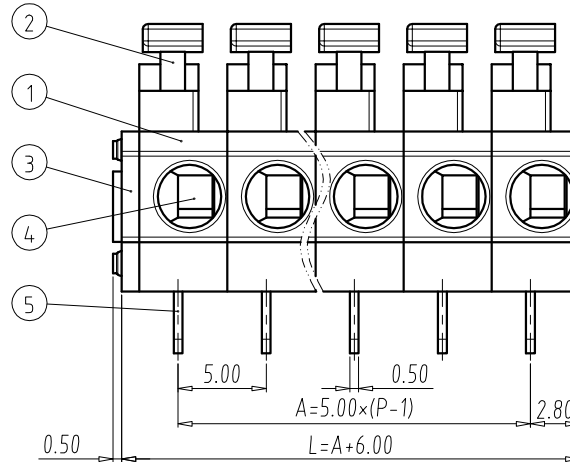
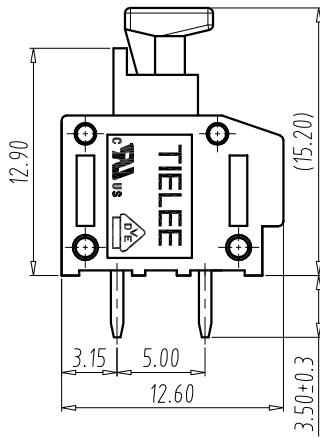


PCB LAYOUT
S=2:1



NOTES:

- UL:
 - Rating: 300V, 10A
 - Insulation Withstands Voltage: AC1600V/MIN
 - Suitable Electric Wire: 20AWG~14AWG
 - Using Temperature Range: -40°C~+105°C
- IEC:
 - Rating: 320V, 24A
 - Rate Impulse Voltage: 4000V
 - Insulation Resistance: 500MΩ or more at DC500V
 - Contact Resistance: ≤5mΩ
 - Material Group: I
 - Pollution Degree: 2
 - Overvoltage Category: III
 - Suitable Electric Wire: 0.2mm²~1.5mm²
 - Using Temperature Range: -40°C~+120°C
- Strip length: 9.0mm~10.0mm
- RoHS compliance



DIM	P	02P	03P	04P	05P	06P	07P	08P	09P	10P	11P	12P	
A		5.0	10.0	15.0	20.0	25.0	30.0	35.0	40.0	45.0	50.0	55.0	
L		11.0	16.0	21.0	26.0	31.0	36.0	41.0	46.0	51.0	56.0	61.0	
DIM	P	13P	14P	15P	16P	17P	18P	19P	20P	21P	22P	23P	24P
A		60.0	65.0	70.0	75.0	80.0	85.0	90.0	95.0	100.0	105.0	110.0	115.0
L		66.0	71.0	76.0	81.0	86.0	91.0	96.0	101.0	106.0	111.0	116.0	121.0

Total Pitch Tolerances in mm										Nominal dimension range in mm																
over 0 to 30	over 30 to 53	over 53 to 70	over 70 to 90	over 90 to 115	over 115 to 150	over 150 to 200	over 200 to 250	over 250 to 320	over 320 to 30	over 30 to 53	over 53 to 70	over 70 to 90	over 90 to 115	over 115 to 150	over 150 to 200	over 200 to 250	over 250 to 320	over 320 to 30	over 30 to 53	over 53 to 70	over 70 to 90	over 90 to 115	over 115 to 150	over 150 to 200	over 200 to 250	over 250 to 320
±0.20	±0.25	±0.30	±0.35	±0.44	±0.55	±0.70	±0.85	±1.00	±0.25	±0.30	±0.35	±0.44	±0.55	±0.70	±0.80	±0.90	±1.20	±0.25	±0.30	±0.35	±0.44	±0.55	±0.70	±0.80	±0.90	±1.20

5	SOLDER PIN	P	COPPER ALLOY	Tin Plated
4	SPRING	P	STAINLESS	/
3	COVER	1	PA66	UL94 V-0
2	LEVER	P	PA66	UL94 V-0
1	HOUSING	1	PA66	UL94 V-0

ITEM	NAME OF PART	Q*TY	MATERIAL	NOTE
5	SOLDER PIN	P	COPPER ALLOY	Tin Plated
4	SPRING	P	STAINLESS	/
3	COVER	1	PA66	UL94 V-0
2	LEVER	P	PA66	UL94 V-0
1	HOUSING	1	PA66	UL94 V-0

DWG.	hyt	DATE	2021.01.28	UNITS	MM	SHEET/OF	1/1
CHK.		DATE		SCALE	2.5 : 1	A4	
APP.		DATE		NAME: TLM-201R-XXP-X DWGNO: TLDW-TLM201RXXPX			
TIANLI ELECTRICAL MACHINERY(NINGBO)CO.,LTD.							