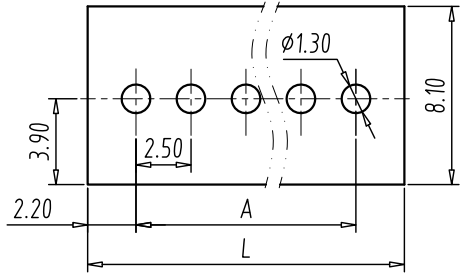
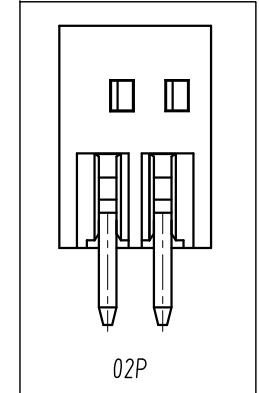
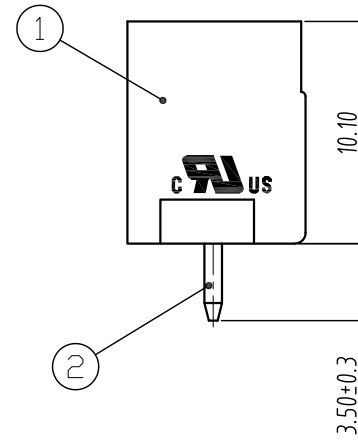
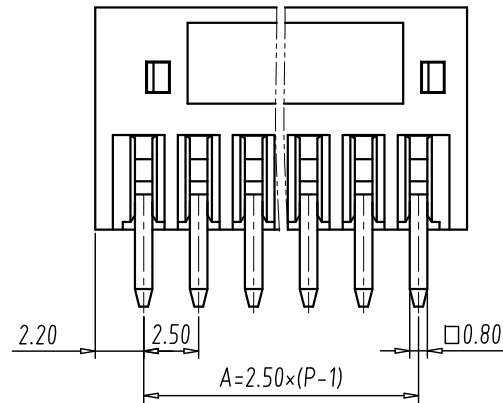
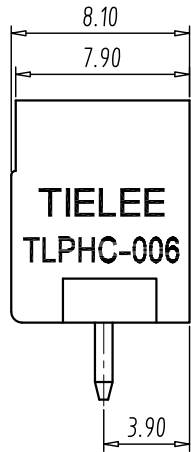
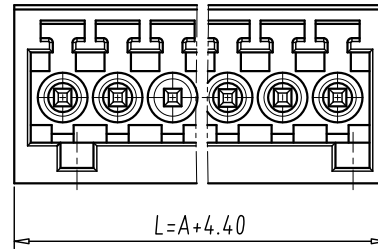


REV	E.C.N NO.	CONTENT	CHK	DATE
V1.0		ORIGINAL	SK	2022.06.17



**PCB LAYOUT**  
S=3:1



NOTES:

- UL:  
Rating:150V,5A;  
Insulation Withstands Voltage:  
AC1300V/1MIN;
- IEC:  
Insulation Resistance:  
500MΩ or more at DC500V;  
Contact Resistance: ≤5mΩ
- Using Temperature Range:-40℃~+115℃;
- RoHS compliance;

DIM	P	02	03	04	05	06	07	08	09	10	11	12
L		6.9	9.4	11.9	14.4	16.9	19.4	21.9	24.4	26.9	29.4	31.9
A		2.5	5	7.5	10	12.5	15	17.5	20	22.5	25	27.5

DIM	P	13	14	15	16	17	18	19	20	21	22	23	24
L		34.4	36.9	39.4	41.9	44.4	46.9	49.4	51.9	54.4	56.9	59.4	61.9
A		30	32.5	35	37.5	40	42.5	45	47.5	50	52.5	55	57.5

Total Pitch Tolerances in mm																Nominal dimension range in mm															
over	over	over	over	over	over	over	over	over	over	over	over	over	over	over	over	over	over	over	over	over	over	over	over	over	over	over	over	over	over		
0	30	53	70	90	115	150	200	250	300	30	53	70	90	115	150	200	250	300	30	53	70	90	115	150	200	250	300	320			
±0.20	±0.25	±0.3	±0.35	±0.44	±0.55	±0.70	±0.85	±1.00	±0.25	±0.30	±0.35	±0.44	±0.55	±0.70	±0.80	±0.90	±1.20														

2	SOLDER PIN	P	COPPER ALLOY	Tin Plated
1	HOUSING	1	PA66	UL94V-0
ITEM	NAME OF PART	Q'TY	MATERIAL	NOTE

DWG.	SK	DATE	2022.06.17	UNITS	MM	SHEET/OF	1/1
CHK.		DATE		SCALE	3 : 1	A4	
APP.		DATE		NAME TLPHC-006V-XXP-X DWGNO. TLDW-TLPHC006VXXPX			
TIANLI ELECTRICAL MACHINERY(NINGBO)CO.,LTD.							