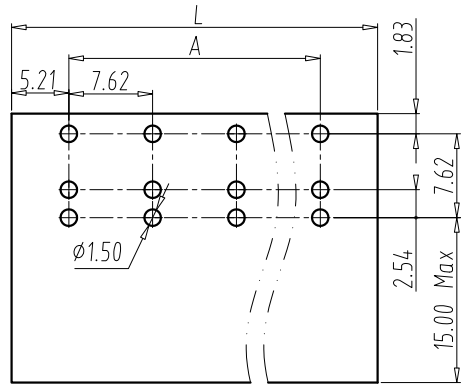


FILE: TLP\501\TLPHC-501RL-XXP-X

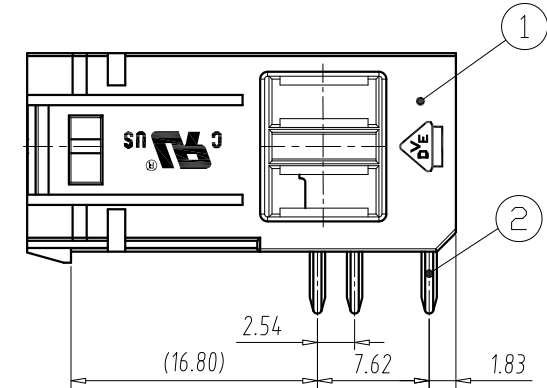
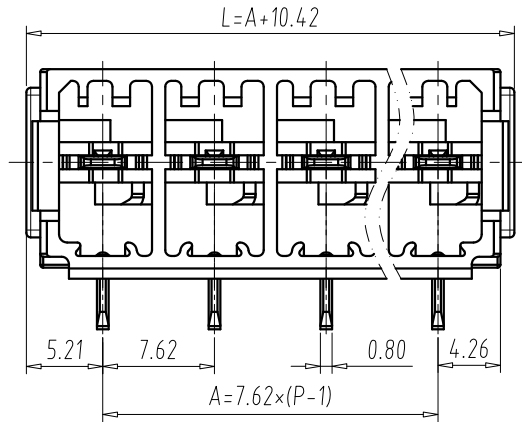
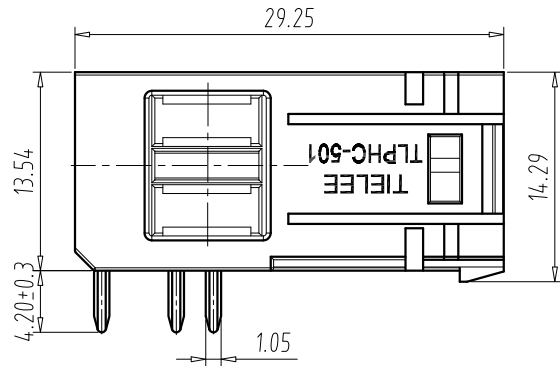
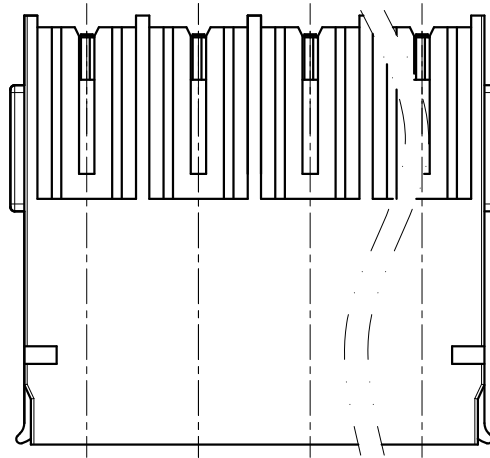
REV	E.C.N NO.	CONTENT	CHK	DATE
V2.0	S2309004	ADD VDE MARK	HSR	2023.09.11

NOTES:

- UL:
 - Rating: 300V, 41A;
 - Insulation Withstands Voltage: AC3300V/1MIN;
 - Using Temperature Range: -40°C~+115°C;
- IEC:
 - Rating: 630V, 41A;
 - Rate Impulse Voltage: 6000V;
 - Insulation Resistance: 500MΩ or more at DC500V;
 - Contact Resistance: ≤5mΩ
 - Material Group: I;
 - Pollution Degree: 2;
 - Overvoltage Category: III;
 - Using Temperature Range: -40°C~+120°C;
- RoHS compliance;



PCB LAYOUT
S=1.5:1



DIM	P	13	14	15	16
L		101.86	109.48	117.1	124.72
A		91.44	99.06	106.68	114.3

DIM	P	2	3	4	5	6	7	8	9	10	11	12
L		18.04	25.66	33.28	40.9	48.52	56.14	63.76	71.38	79.0	86.62	94.24
A		7.62	15.24	22.86	30.48	38.1	45.72	53.34	60.96	68.58	76.2	83.82

Total Pitch Tolerances in mm										Nominal dimension range in mm									
over	over	over	over	over	over	over	over	over	over	over	over	over	over	over	over	over	over	over	over
0	30	53	70	90	115	150	200	250	300	0	30	53	70	90	115	150	200	250	320
to	to	to	to	to	to	to	to	to	to	to	to	to	to	to	to	to	to	to	to
30	53	70	90	115	150	200	250	300	320	30	53	70	90	115	150	200	250	320	320
±0.20	±0.25	±0.3	±0.35	±0.44	±0.55	±0.70	±0.85	±1.00	±0.25	±0.30	±0.35	±0.44	±0.55	±0.70	±0.80	±0.90	±1.20		

2	SOLDER PIN	P	COPPER ALLOY	Tin Plated
1	HOUSING	1	PA66	UL94V-0

DWG.	SK	DATE	2021.03.06	UNITS	MM	SHEET/OF	1/1
CHK.		DATE		SCALE	2:1	A4	
APP.		DATE		NAME TLPHC-501RL-XXP-X			
				ELECTRICAL MACHINERY(NINGBO)CO.,LTD.			
				DWGNO. TLDW-TLPHC501RLXXPX			