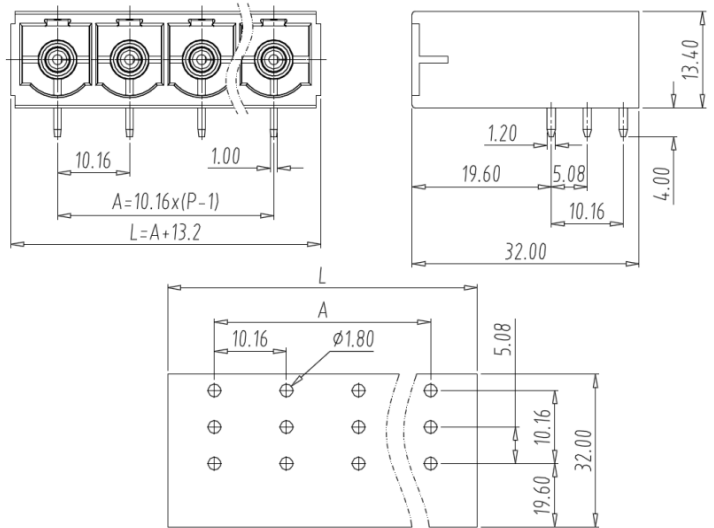
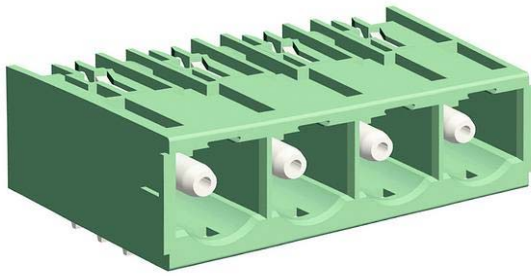


PCB Connector — TLP series ( Pin header )— TLPHC-800R



■ 图示(Pic. shown) : TLPHC-800R-04P-G12

General:

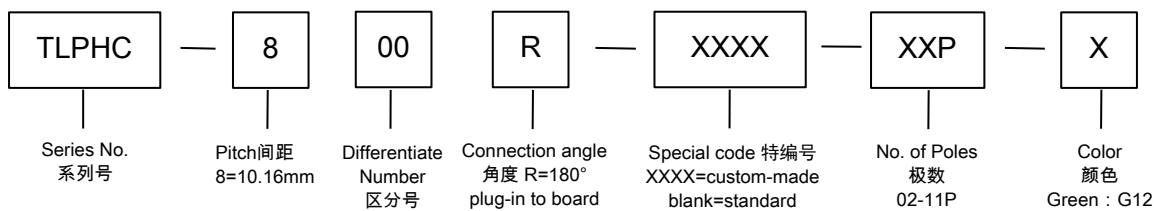
PCB Connector Rated : 1000V,76A  
Single row , 10.16mm pitch , 02-11 Pole  
Orientation:180°(plug-in to board)

认证 ( Approval ) :



技术参数 Technical Data	UL standard			IEC standard		
	UL Application group			IEC过电压别/污染等级(IEC overvoltage category /pollution degree)		
UL应用组别(UL Application group)	B	C	D	III / 3	III / 2	II / 2
IEC过电压别/污染等级(IEC overvoltage category /pollution degree)				1000V	1000V	1000V
额定电压(Rated voltage)	300V	300V	600V	1000V	1000V	1000V
额定电流(Rated current)	55A	55A	5A	76A	76A	76A
额定连接容量(Rated connection capacity)	--			--		
绝缘材料(Insulation Material)	PA66 UL94 V-0					
绝缘材料组别(Material group)	I					
电流承载部件材料和镀层( Material & Plating of Current carrier )	Copper alloy , Tin plated					
接线弹片材料(Material of Clamp spring )	--					
耐电压(1分钟)(Withstanding Voltage/1Min)	2200V					
额定冲击电压(Rated surge voltage)	6000V					
接线螺丝(Wire clamp unit Screw) , 最大扭矩( torque Max. )	--					
固定螺丝(Mounting Screw) , 扭矩(torque)	--					
剥线长度(Wire stripping length)	--					
使用温度(Operating temperature)	-40°C up to +115°C					
存储温度(Storage temperature)	-40°C up to +70°C					
存储相对湿度(Storage relative humidity)	≤70%					
焊接方式(Soldering recommend)	Wave soldering ,260°C 8S Max					

■ 订购方式(How to order)



## ■ 编码片 Coding key



P/N:  
TLPCK-004-S

## ■ 插头 ( Female Connector ) — single row



P/N : TLPS-800V  
Wiring orientation :  
180°(wire to plug-in )  
Rated : 1000V,76A , 16mm<sup>2</sup>  
Screw clamp unit: M4 , 1.2N·m