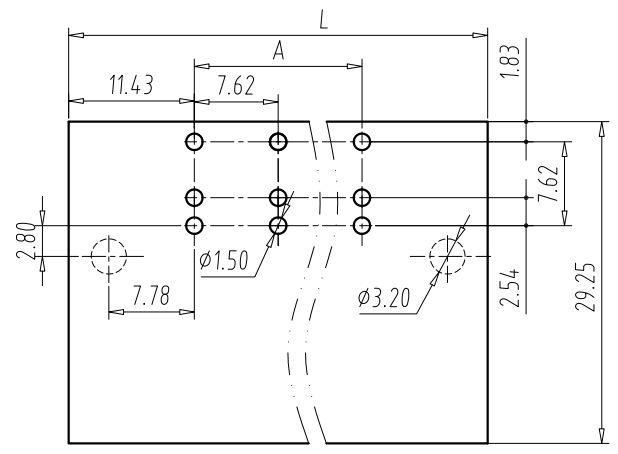
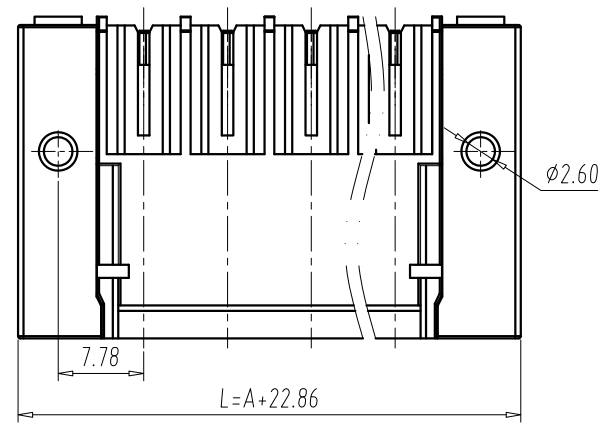


FILE: TLPV501\TLPHW-501R-XXP-X

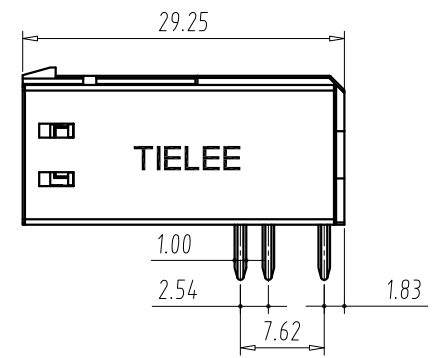
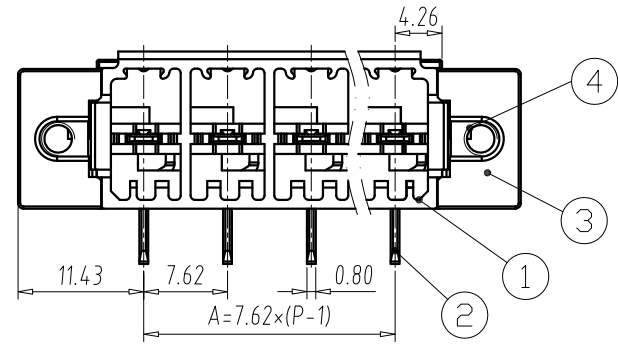
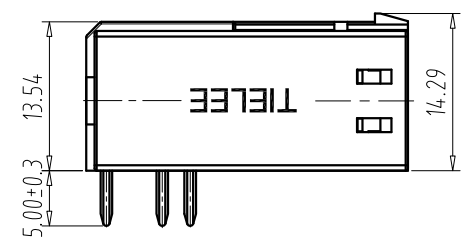
REV	E.C.N NO.	CONTENT	CHK	DATE
V1.0		ORIGINAL	SK	2021.05.07



PCB layout for reference only  
S=1.5:1



- NOTES:
- UL:  
Rating:300V, 41A;  
Insulation Withstands Voltage:AC3300V/1MIN;  
Using Temperature Range:-40°C~+115°C;
  - IEC:  
Rating:630V, 41A;  
Rate Impulse Voltage:6000V;  
Insulation Resistance:500MΩ or more at DC500V;  
Contact Resistance: ≤5mΩ  
Material Group: I;  
Pollution Degree:3;  
Overvoltage Category:III;  
Using Temperature Range:-40°C~+120°C;
  - RoHS compliance;



DIM	P	13	14	15	16
L		114.30	121.92	129.54	137.16
A		91.44	99.06	106.68	114.30

DIM	P	2	3	4	5	6	7	8	9	10	11	12
L		30.48	38.1	45.72	53.34	60.96	68.58	76.20	83.82	91.44	99.06	106.68
A		7.62	15.24	22.86	30.48	38.1	45.72	53.34	60.96	68.58	76.2	83.82

Total Pitch Tolerances in mm		Nominal dimension range in mm																										
over 0 to 30	over 30 to 53	over 53 to 70	over 70 to 90	over 90 to 115	over 115 to 150	over 150 to 200	over 200 to 250	over 250 to 300	over 300 to 320	over 0 to 30	over 30 to 53	over 53 to 70	over 70 to 90	over 90 to 115	over 115 to 150	over 150 to 200	over 200 to 250	over 250 to 320	over 0 to 30	over 30 to 53	over 53 to 70	over 70 to 90	over 90 to 115	over 115 to 150	over 150 to 200	over 200 to 250	over 250 to 320	
±0.20	±0.25	±0.3	±0.35	±0.44	±0.55	±0.70	±0.85	±1.00	±0.25	±0.30	±0.35	±0.44	±0.55	±0.70	±0.80	±0.90	±1.20											

4	NUT	2	STEEL	M3/Zn Plated
3	FLANGE LOCK	2	PBT	UL94V-0
2	SOLDER PIN	P	COPPER ALLOY	Tin Plated
1	HOUSING	1	PA66	UL94V-0
ITEM	NAME OF PART	Q'TY	MATERIAL	NOTE

DWG.	SHIKE	DATE	2020.08.08	UNITS	MM	SHEET/OF	1/1
CHK.		DATE		SCALE	15:1	A4	
APP.		DATE		NAME TLPHW-501R-XXP-X DWGNO. TLDW-TLPHW501RXXPX			
TIANLI ELECTRICAL MACHINERY(NINGBO)CO.,LTD.							