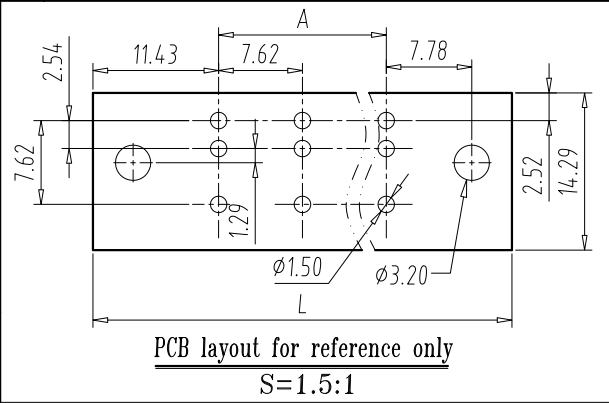


FILE: TLPV501\TLPHW-501V-XXP-X

REV	E.C.N NO.	CONTENT	CHK	DATE
V0.0		ORIGINAL	SK	2020.12.18



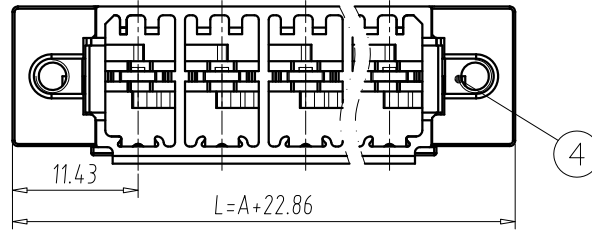
NOTES:

1. UL:

Rating:300V, 41A(B, C); 600V, 5A(D)

Insulation Withstands Voltage:AC3300V/1MIN;

Using Temperature Range:-40°C~+115°C;



2. IEC:

Rating:630V, 41A;

Rate Impulse Voltage:6000V;

Insulation Resistance:500M Ω or more at DC500V;

Contact Resistance: $\leq 5m\Omega$

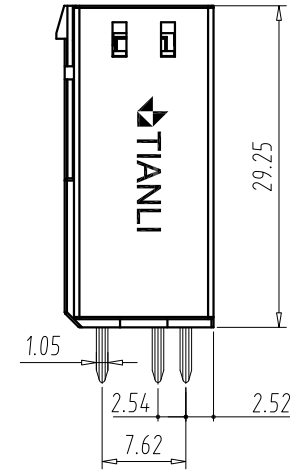
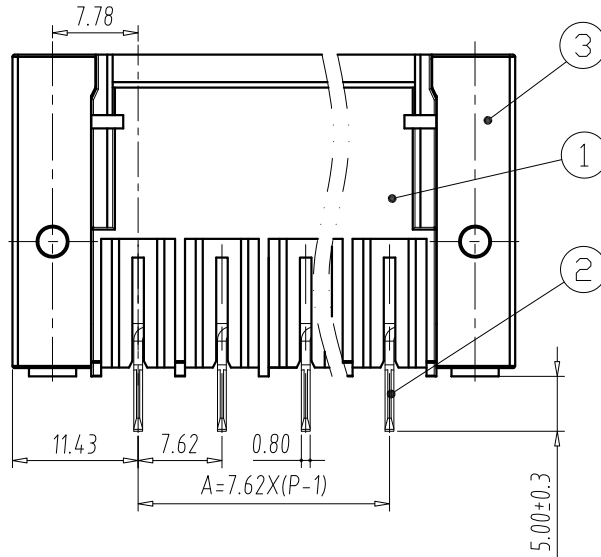
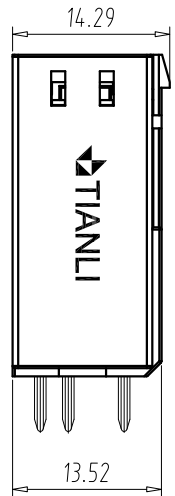
Material Group: I;

Pollution Degree:2;

Overtoltage Category:III;

Using Temperature Range:-40°C~+120°C;

4. RoHS compliance;



DIM	P	13	14	15	16
L		114.30	121.92	129.54	137.16
A		91.44	99.06	106.68	114.30

DIM	P	2	3	4	5	6	7	8	9	10	11	12
L		30.48	38.1	45.72	53.34	60.96	68.58	76.20	83.82	91.44	99.06	106.68
A		7.62	15.24	22.86	30.48	38.1	45.72	53.34	60.96	68.58	76.2	83.82

Total Pitch Tolerances in mm													Nominal dimension range in mm												
over	over	over	over	over	over	over	over	over	over	over	over	over	over	over	over	over	over	over	over	over	over	over	over	over	
0	30	53	70	90	115	150	200	250	300	320	320	320	0	30	53	70	90	115	150	200	250	320	320	320	
± 0.20	± 0.25	± 0.3	± 0.35	± 0.44	± 0.55	± 0.70	± 0.85	± 1.00	± 0.25	± 0.30	± 0.35	± 0.44	± 0.55	± 0.70	± 0.80	± 0.90	± 1.20								

4	NUT	2	STEEL	M3/Zn Plated
3	FLANGE LOCK	2	PBT	UL94V-0
2	SOLDER PIN	P	COPPER ALLOY	Tin Plated
1	HOUSING	1	PA66	UL94V-0
ITEM	NAME OF PART	Q'TY	MATERIAL	NOTE

DWG.	SK	DATE	2020.12.18	UNITS	MM	SHEET/OF	1/1
CHK.		DATE		SCALE	4:1	A4	
APP.		DATE		NAME TLPHW-501V-XXP-X			
				ELECTRICAL MACHINERY(NINGBO)CO.,LTD.			
				DWGNO.	TLDW-TLPHW501VXXPX		