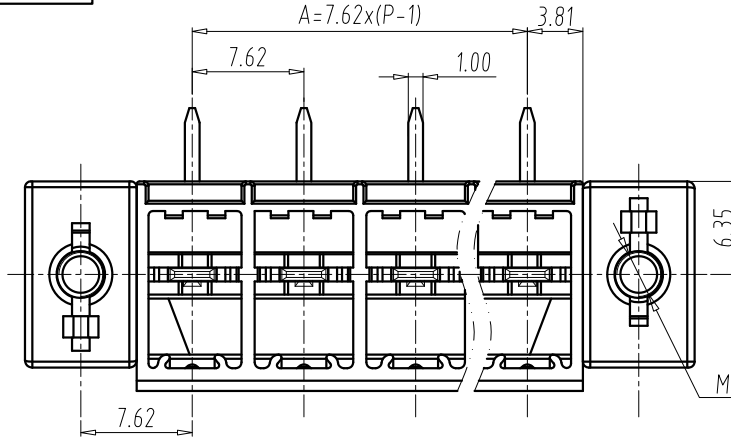
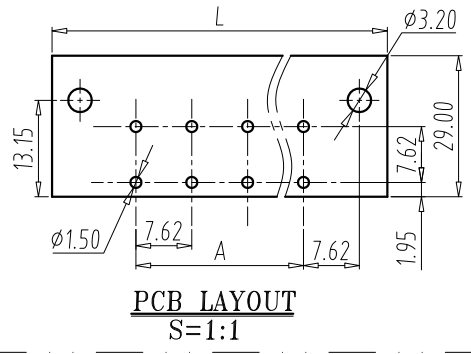


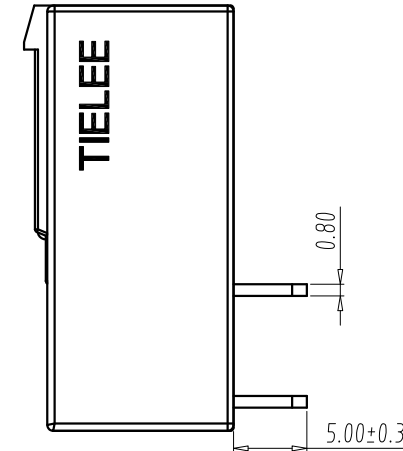
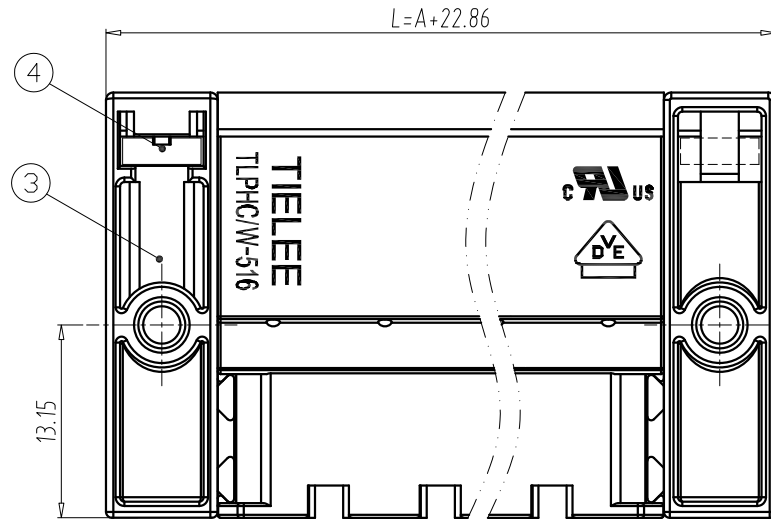
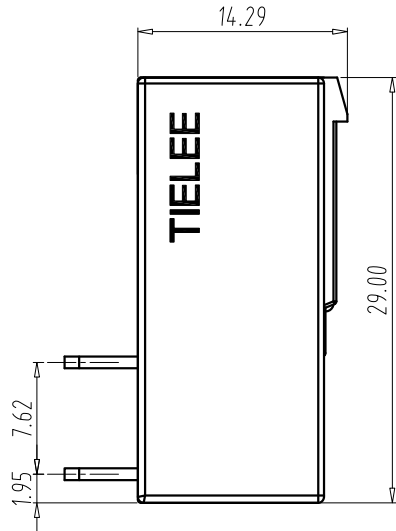
FILE: TLPV516\TLPHW-516R-XXP-X

REV	E.C.N NO.	CONTENT	CHK	DATE
V0.1	S2309004	Add UL AND VDE MARK	SZ	2023.09.19



NOTES:

- UL:
Rating:300V, 30A;
Insulation Withstands Voltage:AC1600V/1MIN;
- IEC:
Rating:1000V, 32A;
Rate Impulse Voltage:6000V;
Insulation Resistance:500MΩ or more at DC500V;
Contact Resistance: ≤5mΩ
Material Group: I;
Pollution Degree:2;
Overvoltage Category: II;
- Using Temperature Range:-40°C~+115°C;
- RoHS compliance;



DIM	P	2	3	4	5	6	7	8	9	10	11	12	13	14	15	16
L		30.48	38.1	45.72	53.34	60.96	68.58	76.2	83.82	91.44	99.06	106.68	114.3	121.92	129.54	137.16
A		7.62	15.24	22.86	30.48	38.1	45.72	53.34	60.96	68.58	76.2	83.82	91.44	99.06	106.68	114.3

Total Pitch Tolerances in mm																Nominal dimension range in mm																
over	over	over	over	over	over	over	over	over	over	over	over	over	over	over	over	over	over	over	over	over	over	over	over	over	over	over	over	over	over	over	over	
0	30	53	70	90	115	150	200	250	300	350	400	450	500	550	600	650	0	30	53	70	90	115	150	200	250	300	350	400	450	500	550	600
±0.20	±0.25	±0.3	±0.35	±0.44	±0.55	±0.70	±0.85	±1.00	±0.25	±0.30	±0.35	±0.44	±0.55	±0.70	±0.80	±1.20	±0.20	±0.25	±0.3	±0.35	±0.44	±0.55	±0.70	±0.80	±1.20	±0.20	±0.25	±0.3	±0.35	±0.44	±0.55	±0.70

3	NUT	2	STEEL	M3 /Zn Plated
3	FLANGE HOUSING	2	PA66	UL94 V-0
2	SOLDER PIN	P	Copper Alloy	Tin Plated
1	HOUSING	1	PA66	UL94 V-0
ITEM	NAME OF PART	Q'TY	MATERIAL	NOTE

DWG.	NJL	DATE	2021.10.20	UNITS	MM	SHEET/OF	1/1
CHK.		DATE		SCALE	2 : 1	A4	
APP.		DATE		NAME TLPHW-516R-XXP-X DWGNO. TLDW-TLPHW516RXXPX			
TIANLI ELECTRICAL MACHINERY(NINGBO)CO.,LTD.							