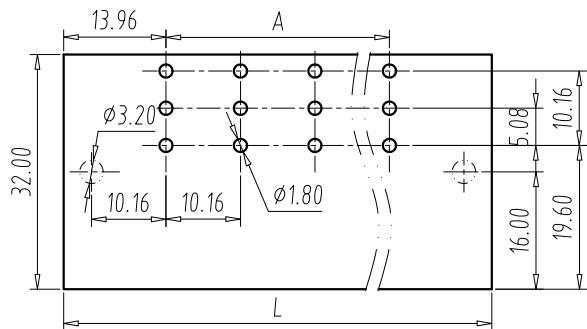
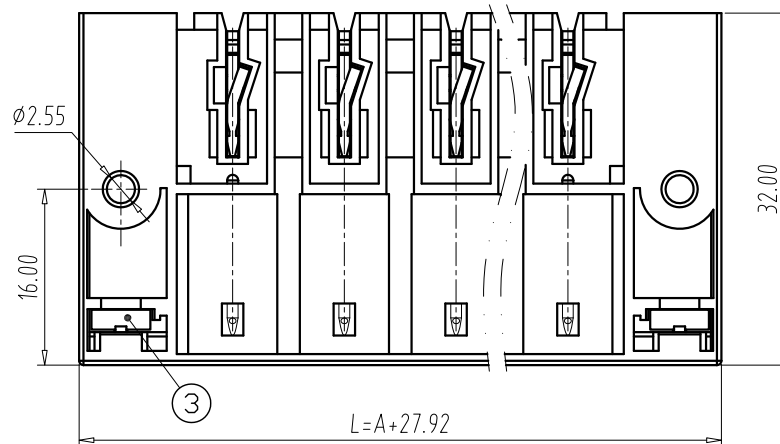


FILE: TLP\800\TLPHW-800RL-XXP-X

REV	E.C.N NO.	CONTENT	CHK	DATE
V0.1	S2308013	Add VDE logo,change the Plated	YJ	2023.08.26

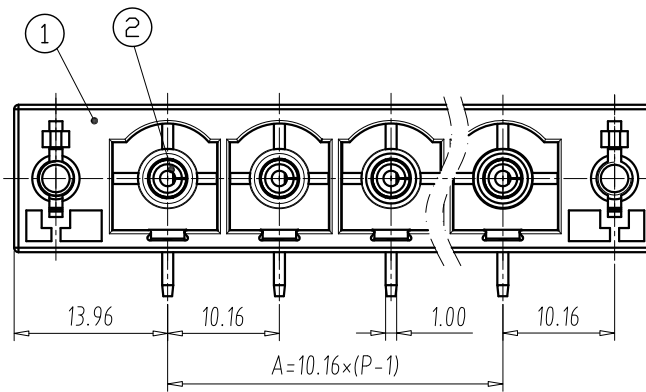
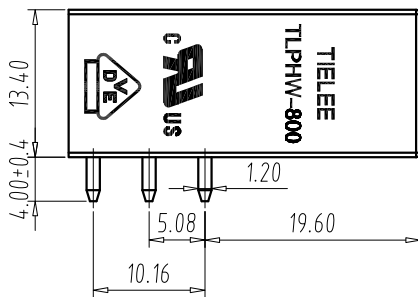


**PCB LAYOUT**  
S=1:1



NOTES:

- UL:  
Rating:300V, 55A (B, C) ;600V (D)  
Insulation Withstands Voltage:AC2200V/1MIN;
- IEC:  
Rating:1000V, 76A;  
Rate Impulse Voltage:6000V;  
Insulation Resistance:500MΩ or more at DC500V;  
Contact Resistance: ≤5mΩ  
Material Group: I ;  
Pollution Degree:2;  
Overvoltage Category: II ;
- Using Temperature Range:-40℃~+115℃;
- RoHS compliance;



DIM	P	02	03	04	05	06	07	08	09	10
L		38.08	48.24	58.4	68.56	78.72	88.88	99.04	109.2	119.36
A		10.16	20.32	30.48	40.64	50.8	60.96	71.12	81.28	91.44

Total Pitch Tolerances in mm																Nominal dimension range in mm																			
over	over	over	over	over	over	over	over	over	over	over	over	over	over	over	over	over	over	over	over	over	over	over	over	over	over	over	over	over	over						
0	30	53	70	90	115	150	200	250	300	30	53	70	90	115	150	0	30	53	70	90	115	150	200	250	300	30	53	70	90	115	150	200	250	320	
to	to	to	to	to	to	to	to	to	to	to	to	to	to	to	to	to	to	to	to	to	to	to	to	to	to	to	to	to	to	to	to	to	to	to	to
30	53	70	90	115	150	200	250	320		30	53	70	90	115	150	±0.20	±0.25	±0.3	±0.35	±0.44	±0.55	±0.70	±0.85	±1.00	±0.25	±0.30	±0.35	±0.44	±0.55	±0.70	±0.80	±0.90	±1.20		

3	NUT	2	STEEL	Zn Plated
2	SOLDER PIN	P	COPPER ALLOY	Ag Plated
1	HOUSING	1	PA66	UL94 V-0

DWG.	SK	DATE	2021.06.03	UNITS	MM	SHEET/OF	1/1
CHK.		DATE		SCALE	15:1	A4	
APP.		DATE		NAME	TLPHW-800RL-XXP-X		
 TIANLI ELECTRICAL MACHINERY(NINGBO)CO.,LTD.				DWGNO.	TLDW-TLPHW800RLXXPX		