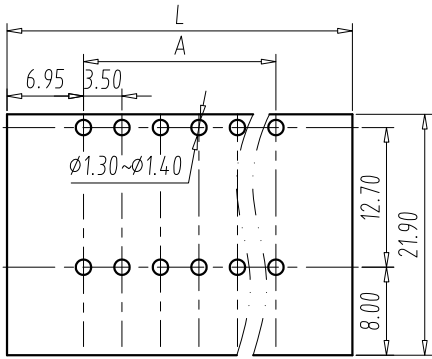
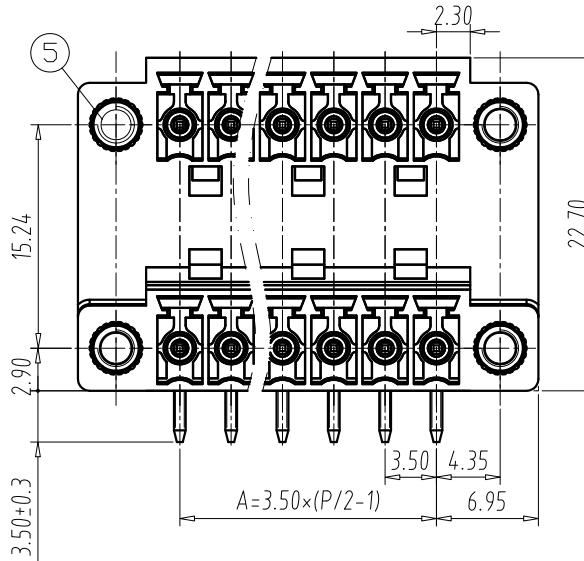
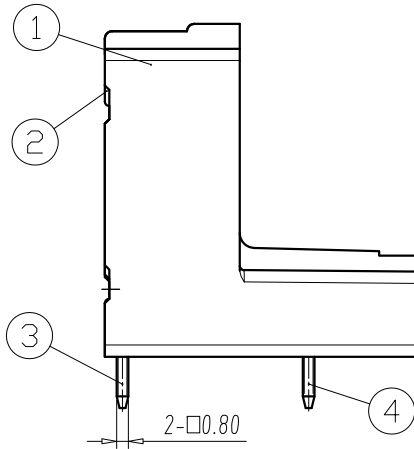
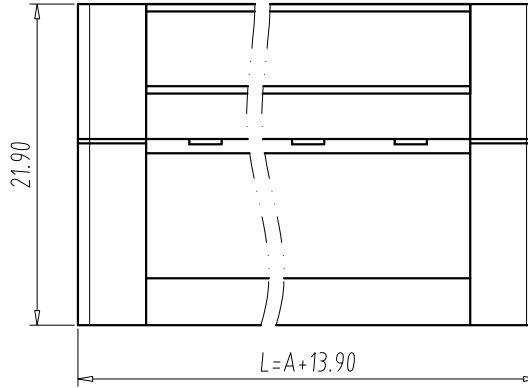


FILE: TLP\005\TLPHDW-005R-XXP-X

REV	E.C.N NO.	CONTENT	CHK	DATE
V1.0		ORIGINAL	SK	2021.05.12

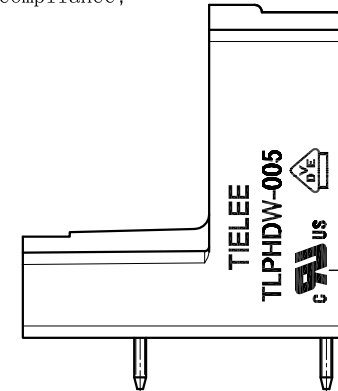


PCB LAYOUT
S=1.5:1



NOTES:

- UL:
Rating:300V, 10A;
Insulation Withstands Voltage:AC1600V/MIN;
Using Temperature Range:-40°C~+115°C;
- IEC:
Rating:160V, 10A;
Rate Impulse Voltage:2500V;
Insulation Resistance:500MΩ or more at DC500V;
Contact Resistance: ≤5mΩ
Material Group: I ;
Pollution Degree:3;
Overvoltage Category:III;
Using Temperature Range:-40°C~+120°C;
- RoHS compliance;



DIM	P	04	06	08	10	12	14	16	18	20	22	24	
		A	3.50	7.00	10.50	14.00	17.50	21.00	24.50	28.00	31.50	35.00	38.50
L	P	26	28	30	32	34	36	38	40	42	44	46	48
		A	42.00	45.50	49.00	52.50	56.00	59.50	63.00	66.50	70.00	73.50	77.00
L	P	55.90	59.40	62.90	66.40	69.90	73.40	76.90	80.40	83.90	87.40	90.90	94.40

Total Pitch Tolerances in mm																Nominal dimension range in mm																					
over	over	over	over	over	over	over	over	over	over	over	over	over	over	over	over	over	over	over	over	over	over	over	over	over	over	over	over	over									
0	30	53	70	90	115	150	200	250	300	350	400	450	500	550	600	0	30	53	70	90	115	150	200	250	300	350	400	450	500								
to	to	to	to	to	to	to	to	to	to	to	to	to	to	to	to	to	to	to	to	to	to	to	to	to	to	to	to	to	to								
30	53	70	90	115	150	200	250	320	30	53	70	90	115	150	200	250	320	30	53	70	90	115	150	200	250	320	30	53	70	90	115	150	200	250	320		
±0.20	±0.25	±0.3	±0.35	±0.44	±0.55	±0.70	±0.85	±1.00	±0.25	±0.30	±0.35	±0.44	±0.55	±0.70	±0.80	±0.90	±1.20	±0.20	±0.25	±0.3	±0.35	±0.44	±0.55	±0.70	±0.80	±0.90	±1.20	±0.20	±0.25	±0.3	±0.35	±0.44	±0.55	±0.70	±0.80	±0.90	±1.20

5	NUT	4	COPPER ALLOY	M2.5
4	SHORT SOLDER PIN	P/2	COPPER ALLOY	Tin Plated
3	LONG SOLDER PIN	P/2	COPPER ALLOY	Tin Plated
2	COVER	1	PA66	UL94V-0
1	HOUSING	1	PA66	UL94V-0
ITEM	NAME OF PART	Q'TY	MATERIAL	NOTE

DWG.	SK	DATE	2021.05.12	UNITS	MM	SHEET/OF	1/1
CHK.		DATE		SCALE	2:1	A4	
APP.		DATE		NAME	TLPHDW-005R-XXP-X		
 ELECTRICAL MACHINERY(NINGBO)CO.,LTD.				DWGNO.	TLDW-TLPHDW005RXXPX		