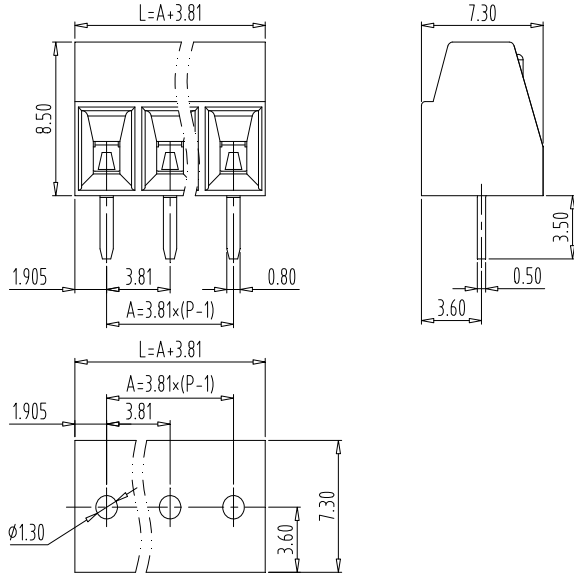





PCB terminal block — TL series(Raising Clamp)—TL103V



■ 图示(Pic. shown) : TL103V-04P-G12S

General.

PCB terminal block	Rated :160V,16A , 1.5mm ²
Single row , 3.81mm pitch , 02P-24P Pole	
Wiring orientation: 180°(wire-to-board)	
Screw clamp unit: M2, 0.2Nm	

认证 (Approval)   

■ 技术参数 Technical Data	UL standard			IEC standard		
	UL Application group			IEC过电压别/污染等级(IEC overvoltage category /pollution degree)		
UL应用组别(UL Application group)	B	C	D	III / 3	III / 2	II / 2
IEC过电压别/污染等级(IEC overvoltage category /pollution degree)						
额定电压(Rated voltage)	300V	--	300V	--	160V	--
额定电流(Rated current)	10A	--	10A	--	16A	--
额定连接容量(Rated connection capacity)	26~16AWG			0.2~1.5mm ²		
刚性导线横截面 (AWG) (Conductor cross section,solid)				26~16		
柔性导线横截面 (AWG) (Conductor cross section,stranded)				26~16		
刚性导线横截面 (mm2) (Conductor cross section,rigid)				0.2~1.5		
柔性导线横截面 (mm2) (Conductor cross section,flexible)				0.2~1.5		
柔性导线横截面, 不带绝缘套管的冷压头(mm2) (Conductor cross section flexible , with ferrule without plastic)				0.25~0.75		
柔性导线横截面, 带绝缘套管的冷压头(mm2) (Conductor cross section flexible , with ferrule with plastic sleeve)				0.25~0.75		
2根具有相同横截面的导线, 柔性, 带TWIN套管及塑料套管(mm2) (2 conductors with the same section flexible with TWIN ferrule and plastic sleeve)				--		
绝缘材料(Insulation Material)				PA66 UL94 V-0		
绝缘材料组别(Material group)				I		
电流承载部件材料和镀层(Material & Plating of Current carrier)				Copper alloy , Tin plated		
接线弹片材料(Material of Clamp spring)				--		
耐电压(1分钟)(Withstanding Voltage/1Min)				1600V		
额定冲击电压(Rated surge voltage)				2.5KV		
接线螺丝(Wire clamp unit Screw), 最大扭矩(torque Max.)				M2 , 0.2Nm		
固定螺丝(Mounting Screw), 扭矩(torque)				--		
剥线长度(Wire stripping length)				5.0~6.0mm		
使用温度(Operating temperature)				-40°C up to +105°C(UL)/-40°C up to +120°C(VDE)		
存储温度(Storage temperature)				-40°C up to +70°C		
存储相对湿度(Storage relative humidity)				≤70%		
焊接方式(Soldering recommend)	Wave soldering ,260°C 5S Max (Single Wave) , 260°C 10S Max(Double Wave)					

■ 订购方式(How to order)

