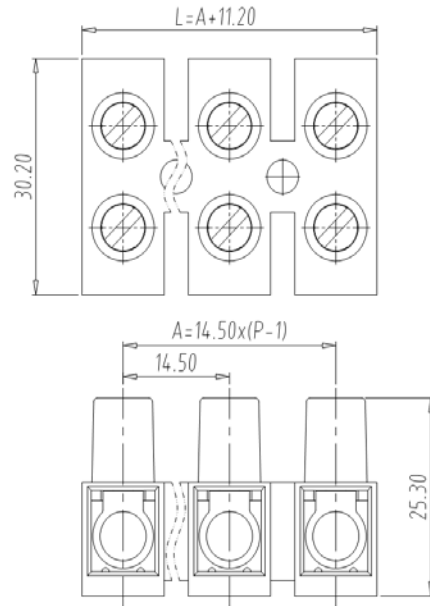


Terminal Strip — TLB series — TLB-500



■ 图示(Pic. shown) : TLB-500-08P-T01S

General:	Terminal Strip Rated : 750V,76A , 16mm ²
	14.5mm pitch , 02-12 Pole
	Wire-to-Wire Connection
	Screw clamp unit: M5, 2.0N.m Max

认证 (Approval) :   

■ 技术参数 Technical Data	UL standard			IEC standard		
	UL Application group			IEC过电压别/污染等级(IEC overvoltage category /pollution degree)		
UL应用组别(UL Application group)	B	C	D	III / 3	III / 2	II / 2
IEC过电压别/污染等级(IEC overvoltage category /pollution degree)						
额定电压(Rated voltage)	300V	300V	600V	--	750V	--
额定电流(Rated current)	65A	65A	10A	--	76A	--
额定连接容量(Rated connection capacity)	18~6AWG			6~16mm ²		
刚性导线横截面 (AWG) (Conductor cross section,solid)				18~6		
柔性导线横截面 (AWG) (Conductor cross section,stranded)				18~6		
刚性导线横截面 (mm ²) (Conductor cross section,rigid)				6~16		
柔性导线横截面 (mm ²) (Conductor cross section,flexible)				6~16		
绝缘材料(Insulation Material)				PA66 UL94 V-2		
绝缘材料组别(Material group)				I		
电流承载部件材料和镀层(Material & Plating of Current carrier)				Copper alloy , Ni plated		
接线弹片材料(Material of Clamp spring)				--		
耐电压(1分钟)(Withstanding Voltage/1Min)				1600V		
额定冲击电压(Rated surge voltage)				--		
接线螺丝(Wire clamp unit Screw) , 最大扭矩(torque Max.)				M5.0 , 2.0N.m Max		
固定螺丝(Mounting Screw) , 扭矩(torque)				--		
剥线长度(Wire stripping length)				10.0-12.0mm		
使用温度(Operating temperature)				-40°C up to +80°C(UL) / -40°C up to +100°C(IEC)		
存储温度(Storage temperature)				-40°C up to +70°C		
存储相对湿度(Storage relative humidity)				≤70%		
焊接方式(Soldering recommend)				--		

■ 订购方式(How to order)

