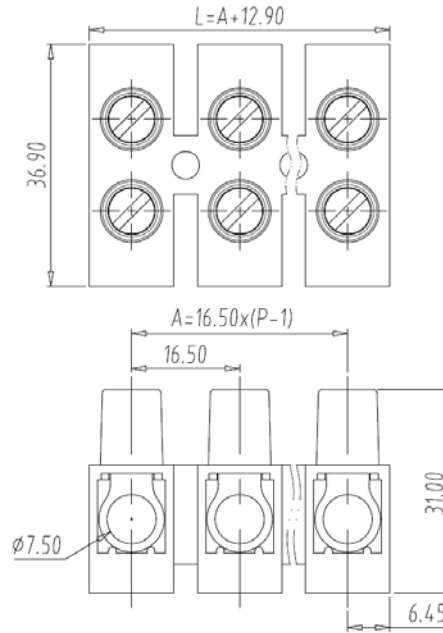


Terminal Strip — TLB series — TLB-600



■ 图示(Pic. shown) : TLB-600-04P-W03S

| | |
|----------|---|
| General: | Terminal Strip Rated : 750V, 101A , 25mm ² |
| | 16.5mm pitch , 02-12 Pole |
| | Wire-to-Wire Connection |
| | Screw clamp unit: M5, 2.5N.m |

认证 (Approval) :   

| ■ 技术参数 Technical Data | UL standard | | | IEC standard | | |
|--|----------------------|------|------|--|---------|--------|
| | UL Application group | | | IEC过电压别/污染等级(IEC overvoltage category /pollution degree) | | |
| UL应用组别(UL Application group) | B | C | D | III / 3 | III / 2 | II / 2 |
| IEC过电压别/污染等级(IEC overvoltage category /pollution degree) | | | | | | |
| 额定电压(Rated voltage) | 600V | 600V | 600V | -- | 750V | -- |
| 额定电流(Rated current) | 85A | 85A | 5A | -- | 101A | -- |
| 额定连接容量(Rated connection capacity) | 16~4AWG | | | 4.0~25mm ² | | |
| 刚性导线横截面 (AWG) (Conductor cross section,solid) | | | | 16~4 | | |
| 柔性导线横截面 (AWG) (Conductor cross section,stranded) | | | | 16~4 | | |
| 刚性导线横截面 (mm2) (Conductor cross section,rigid) | | | | 4~25 | | |
| 柔性导线横截面 (mm2) (Conductor cross section,flexible) | | | | 4~25 | | |
| 绝缘材料(Insulation Material) | | | | PA66 UL94 V-0 | | |
| 绝缘材料组别(Material group) | | | | I | | |
| 电流承载部件材料和镀层(Material & Plating of Current carrier) | | | | Copper alloy , Ni plated | | |
| 接线弹片材料(Material of Clamp spring) | | | | -- | | |
| 耐电压(1分钟)(Withstanding Voltage/1Min) | | | | 2200V | | |
| 额定冲击电压(Rated surge voltage) | | | | -- | | |
| 接线螺丝(Wire clamp unit Screw) , 最大扭矩(torque Max.) | | | | M5.0 , 2.5N.m | | |
| 固定螺丝(Mounting Screw) , 扭矩(torque) | | | | -- | | |
| 剥线长度(Wire stripping length) | | | | 12.0-13.0mm | | |
| 使用温度(Operating temperature) | | | | -40°C up to +120°C(UL) / -40°C up to +100°C(IEC) | | |
| 存储温度(Storage temperature) | | | | -40°C up to +70°C | | |
| 存储相对湿度(Storage relative humidity) | | | | ≤70% | | |
| 焊接方式(Soldering recommend) | | | | -- | | |

■ 订购方式(How to order)

